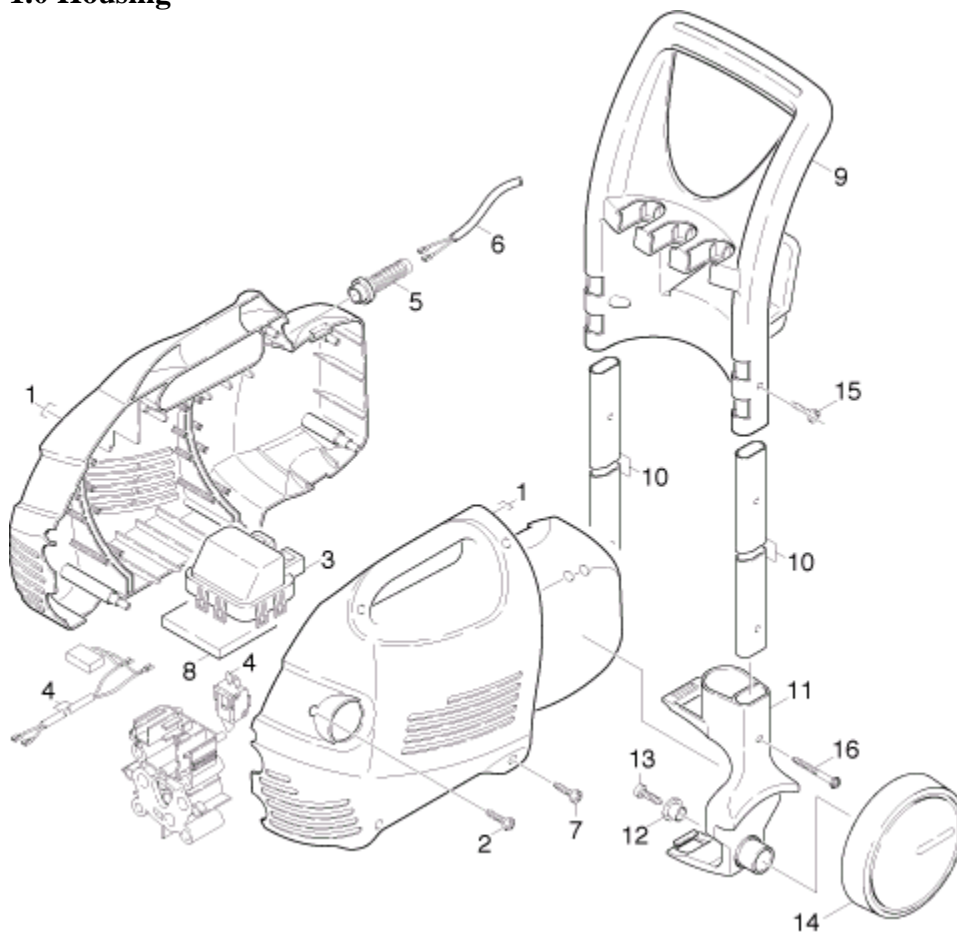


## K 205 Plus (1.027-857) Parts List as of July 2001

Karcher Canada

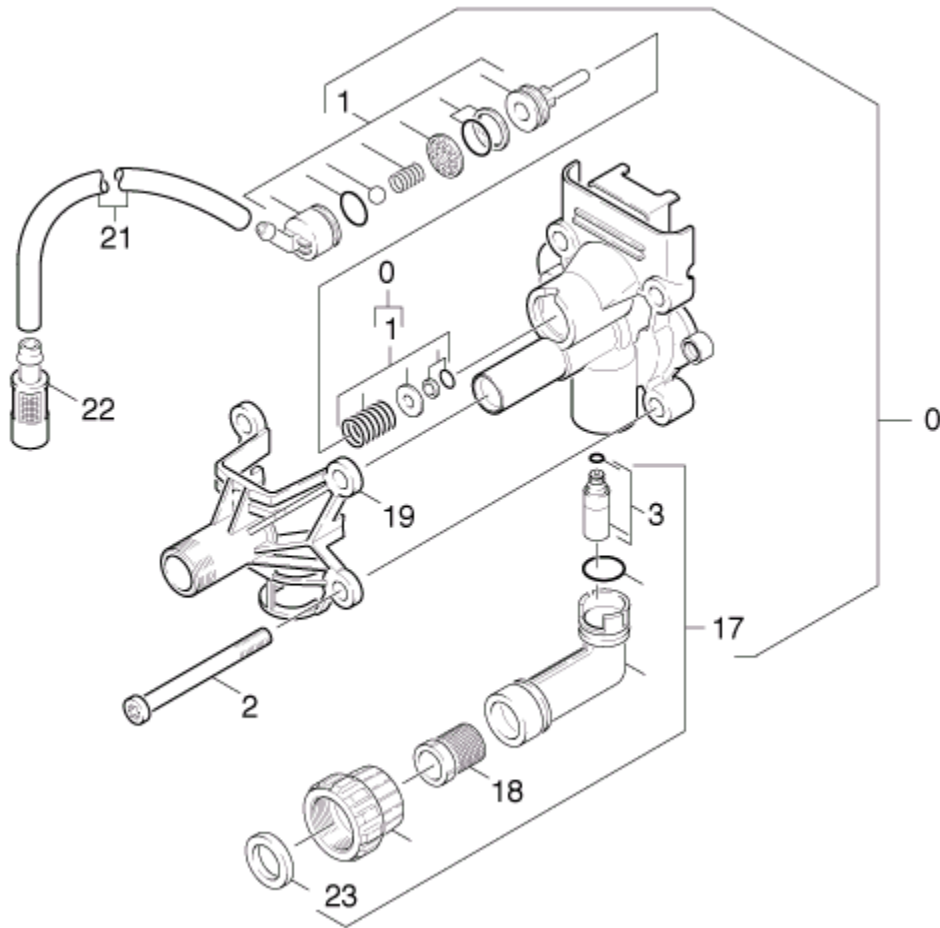
Caution: **Electrical Hazard.** Repairs or attempted repairs by untrained persons may result in damage to the pressure washer and/or personal injury as well as voiding any warranty. Customers are strongly advised to have their machine examined by a trained professional at an authorized Karcher service location.

### 1.0 Housing



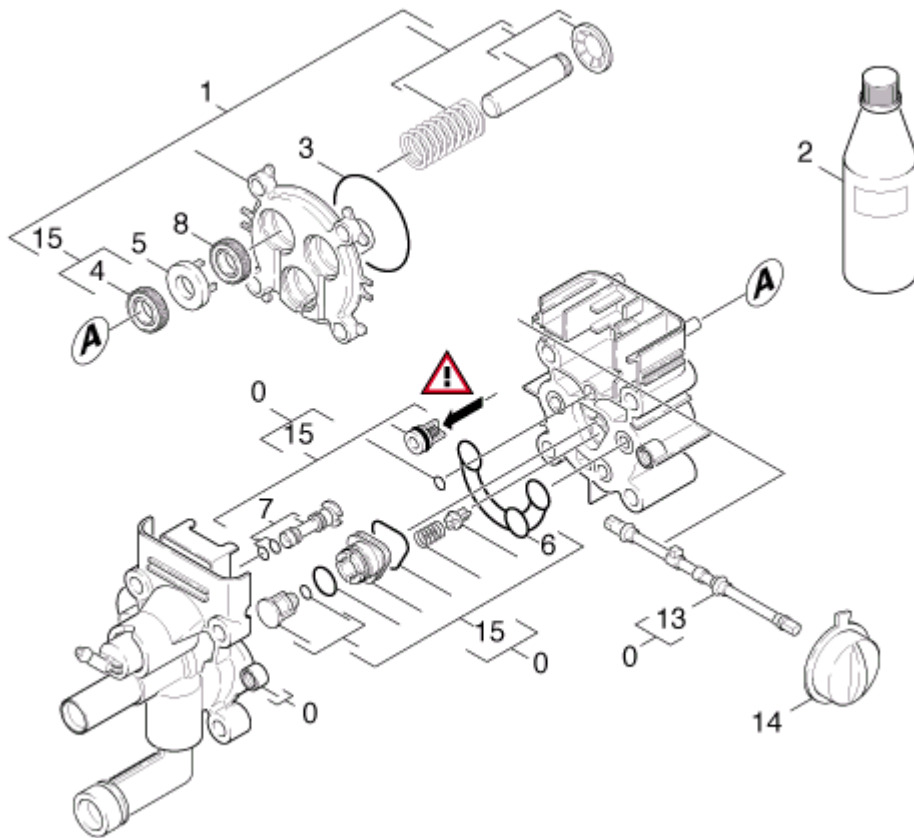
pos	description	part No.	qty	information
1	HOUSING	5.067-059.0	1	
2	SCREW	6.303-150.0	6	
3	COVER	5.063-702.0	1	/ 1.072-852.0
3	COVER	5.063-763.0	1	/ 1.072-857.0
4	SWITCH	2.884-096.0	1	/ 1.072-852.0
4	SWITCH	2.884-097.0	1	/ 1.072-857.0
5	CABLE BUSHING	6.903-429.0	1	
6	CABLE	6.647-642.0	1	/ 1.072-852.0
6	CABLE	6.647-643.0	1	/ 1.072-857.0 / 1.223-857.0
7	SCREW	6.303-223.0	1	
8	MAT	5.176-008.0	1	
9	HANDLE	5.321-561.0	1	/ 1.072-857.0
10	PIPE	5.029-323.0	2	/ 1.072-857.0
11	MOULDED PART	5.031-532.0	2	/ 1.072-857.0
12	SLEEVE	5.110-697.0	2	/ 1.072-857.0
13	SCREW	7.303-108.0	2	/ 1.072-857.0
14	WHEEL	9.036-153.0	2	/ 1.072-857.0
15	SCREW	9.086-157.0	2	/ 1.072-857.0
16	SCREW	6.303-294.0	2	/ 1.072-857.0

## 2.1 Pump Housing



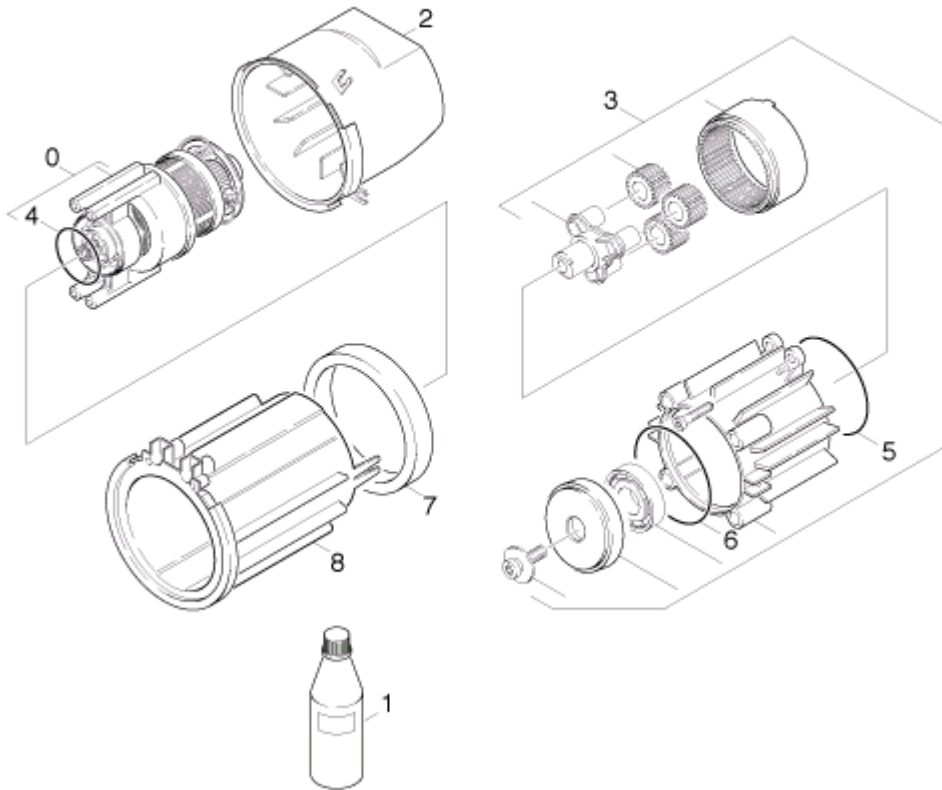
pos	description	part No.	qty	information
0	CYLINDER HEAD	4.550-406.0	1	ALSO SEE GROUP 2
CYLINDER HAED				
1	SPARE PARTS SET	2.883-820.0	1	
3	VALVE	4.580-354.0	1	
17	COVER	4.063-627.0	1	
18	STRAINER	6.414-252.0	1	
19	LID	4.063-599.0	1	
20	OVAL HEAD SCREW	6.303-236.0	1	
21	HOSE	6.388-216.0	1	
22	FILTER	5.731-040.0	1	
23	SEAL	5.364-129.0	1	

## 2.2 Cylinder Head



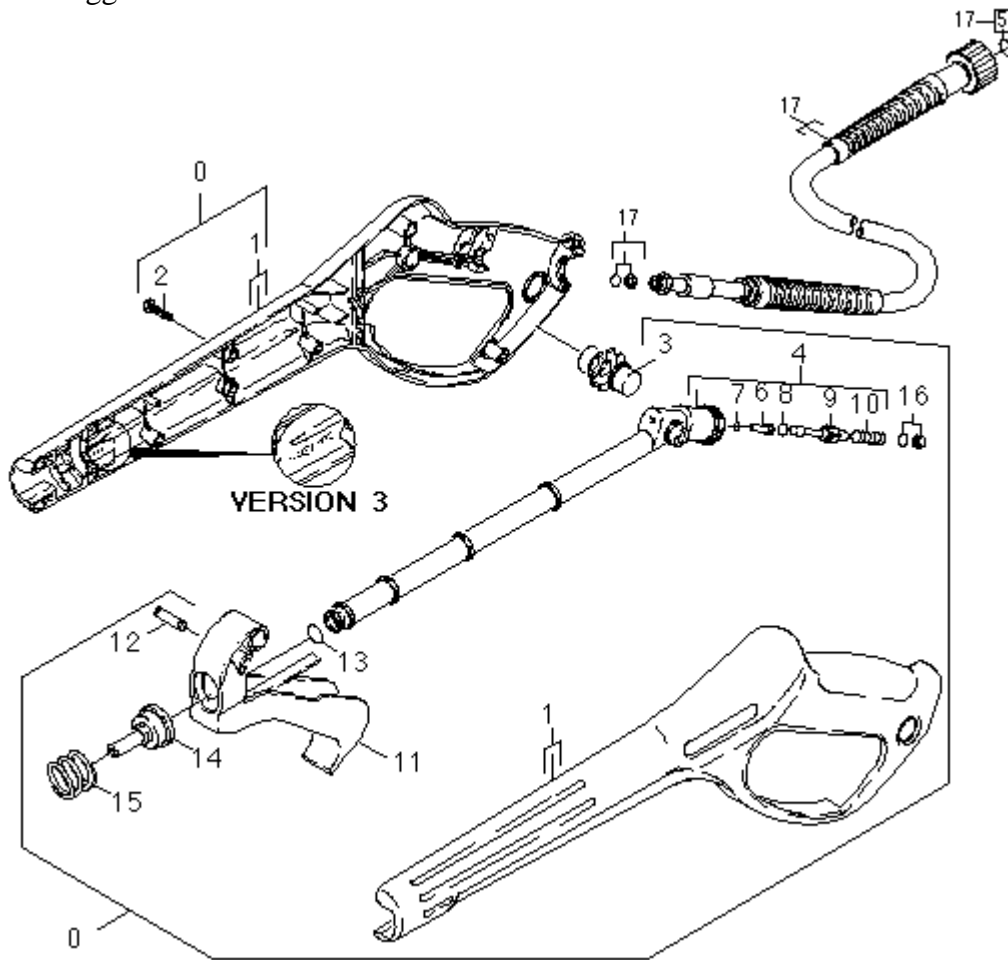
pos	description	part No.	qty	information
0	CYLINDER HEAD	4.550-406.0	1	ALSO SEE GROUP 2
<b>HOUSING</b>				
1	HOUSING	4.060-307.0	1	
2	ENGINE OIL	6.288-112.0	1	
3	GASKET	6.362-902.0	1	
4	GROOVED RING	6.362-875.0	3	
5	WASHER	5.115-666.0	3	
6	SEAL	5.365-209.0	1	
7	NOZZLE INSERT	4.769-041.0	1	
8	GROOVED RING	6.365-393.0	3	
13	AXLE	5.105-254.0	1	
14	HANDLE	5.321-560.0	1	
15	PUMP SET	2.883-877.0	1	

### 3.0 Motor



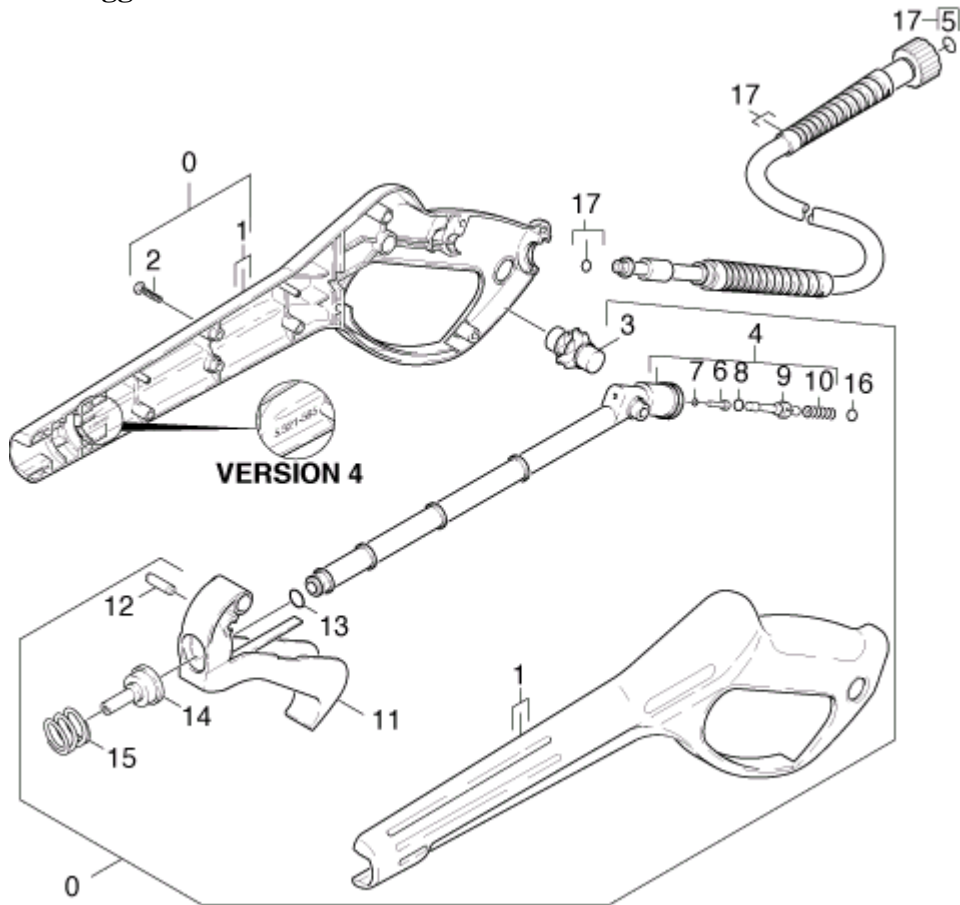
pos	description	part No.	qty	information
0	MOTOR	4.623-337.0	1	
1	ENGINE OIL	6.288-112.0	1	
3	GEARING	4.060-308.0	1	
4	GASKET	6.362-979.0	1	
5	GASKET	6.362-980.0	1	
6	GASKET	6.362-902.0	1	
7	INSULATTING MAT	5.673-073.0	1	
8	COVER	5.066-855.0	1	/ 1.072-852.0
8	COVER	5.066-919.0	1	/ 1.072-857.0

#### 4.1 Trigger Gun version 3



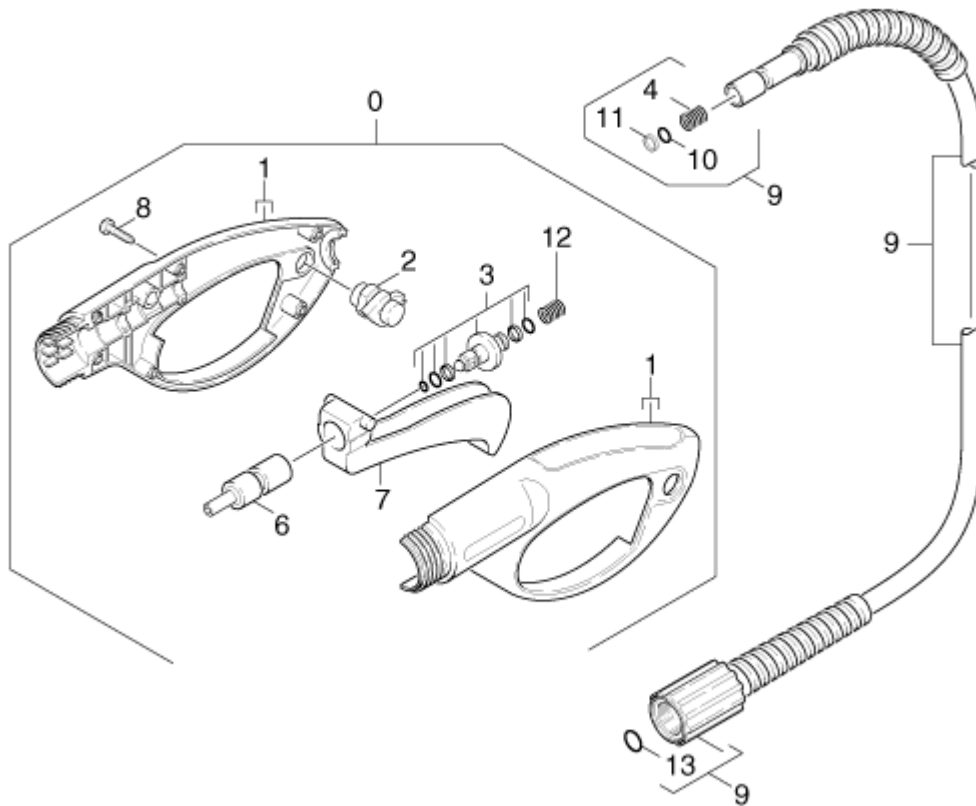
pos	description	part No.	qty	information
0	PISTOL	4.775-329.0	1	
1	HANDLES	5.321-570.0	1	
2	OVAL HEAD SCREW	6.303-122.0	9	
3	LEVER	5.481-189.0	1	
4	MANIFOLD	4.427-189.0	1	
5	SPARE PARTS KIT	2.880-296.0	1	
6	PIN	9.039-032.0	1	
7	GASKET	7.362-502.0	1	
8	GASKET	6.363-005.0	1	
9	VALVE PIN	5.584-112.0	1	
10	HELICAL SPRING	5.332-157.0	1	
11	LEVER	4.481-105.0	1	
12	PIN	5.314-082.0	1	
13	GASKET	6.362-958.0	1	
14	MOULDED PART	5.031-525.0	1	
15	PRESSURE SPRING	5.332-349.0	1	
16	GASKET	6.363-115.0	1	
17	HIGH PRESSURE HOSE	6.390-204.0	1	

## 4.2 Trigger Gun Version 4



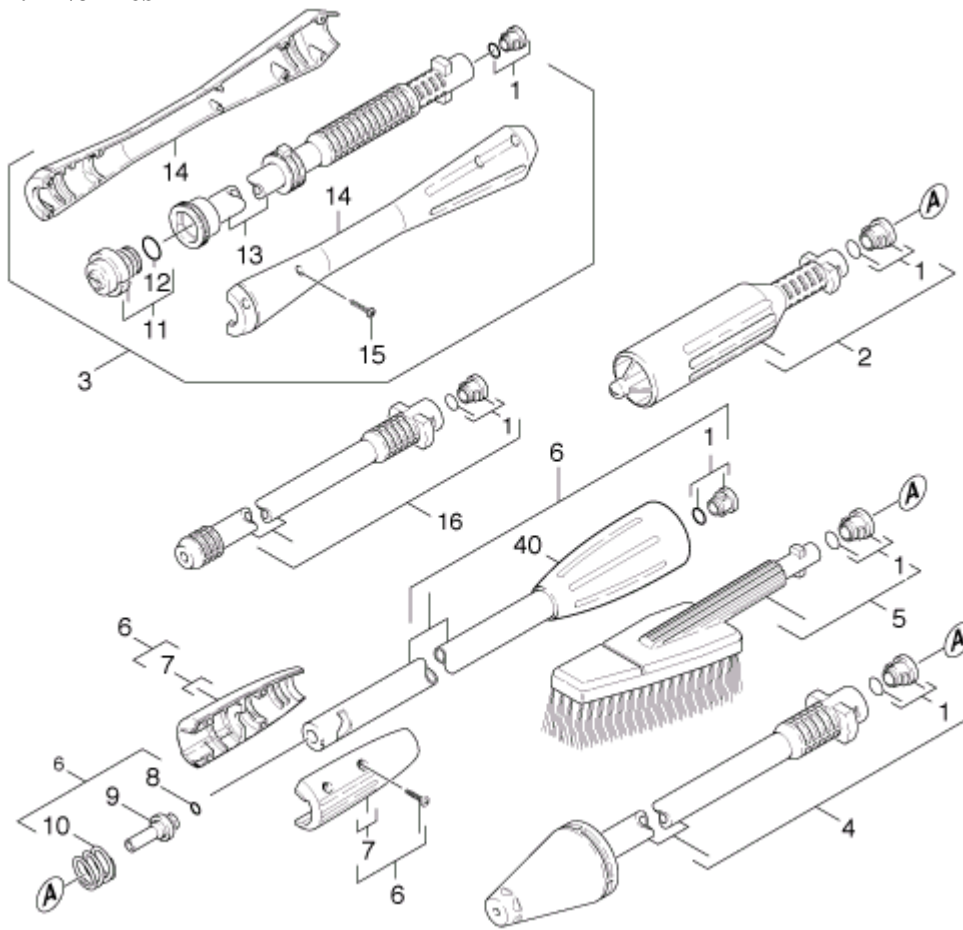
pos	description	part No.	qty	information
0	PISTOL	4.775-331.0	1	
1	HANDLES	5.321-565.0	1	
2	OVAL HEAD SCREW	6.303-122.0	9	
3	LEVER	5.481-189.0	1	
4	MANIFOLD	4.427-189.0	1	
5	SPARE PARTS KIT	2.880-296.0	1	
6	PIN	9.039-032.0	1	
7	GASKET	7.362-502.0	1	
8	GASKET	6.363-005.0	1	
9	VALVE PIN	5.584-112.0	1	
10	HELICAL SPRING	5.332-157.0	1	
11	LEVER	4.481-105.0	1	
12	PIN	5.314-082.0	1	
13	GASKET	6.362-958.0	1	
14	MOULDED PART	5.031-525.0	1	
15	PRESSURE SPRING	5.332-349.0	1	
16	GASKET	6.362-498.0	1	
17	HIGH PRESSURE HOSE	6.390-261.0	1	

### 4.3 Trigger Gun & Hose



pos	description	part No.	qty	information
0	PISTOL	4.775-271.0	1	/ 1.072-857.0
1	HOUSING	9.036-120.0	1	
2	MOULDED PART	6.964-044.0	1	
3	BUSH	9.011-030.0	1	
4	SPRING	6.964-002.0	1	
6	MOULDED PART	6.964-047.0	1	
7	LEVER	6.964-048.0	1	
8	SCREW	6.964-049.0	6	
9	HIGH PRESSURE HOSE	9.001-059.0	1	
10	GASKET	9.080-014.0	1	
11	SUPPORTRING	9.079-004.0	1	
13	SPARE PARTS KIT	2.880-296.0	1	

#### 4.4 Nozzles



pos	description	part No.	qty	information
1	SPARE PARTS KIT	2.883-111.0	5	
2	JET PIPE	9.011-165.0	1	
3	JET PIPE	4.760-409.0	1	/ 1.223-857.0
4	ROTARY NOZZLE	4.763-977.0	1	
5	WASH BRUSH	6.903-276.0	1	/ 1.072-857.0
6	JET PIPE-LENGTHENING	9.011-099.0	1	/ 1.072-857.0
7	HANDLES	9.036-101.0	1	
8	GASKET	6.362-690.0	1	
9	JOINING PIECE	5.031-068.0	1	
10	PRESSURE SPRING	5.332-349.0	1	
11	NOZZLE CAP	4.762-240.0	1	
12	GASKET	6.362-534.0	1	
13	JET PIPE	5.029-842.0	1	
14	HANDLES	5.321-445.0	1	
15	OVAL HEAD SCREW	6.303-122.0	12	
16	JET PIPE	4.760-401.0	1	
40	UNION NUT	9.036-438.0	1	