

Plunger Pumps

FEATURING

MANIFOLD: High strength forged brass for long term use.

BOLTS: Six 6mm grade 12.9.

PLUNGERS: A special thick solid ceramic for long life, strong durability and more resilience.

CRANKCASE: Precision die-cast, large cooling fins and anodized for maximum heat dissipation. Sight glass, fill and drain plugs.

BEARINGS: Oversized for maximum life and load disbursement, a needle bearing on the drive side and a ball on the non-drive side. Each bearing is held in position on the crankshaft and crankcase by snap rings. This assures positive alignment and centering of the connecting rods and crankshaft in relation to the crankcase, it also eliminates the crankshaft from floating.

VALVES, SEATS, AND SPRINGS: Stainless steel with specially designed Ultra Form material valve cages that are impervious to water absorption and provide long life and positive seating.

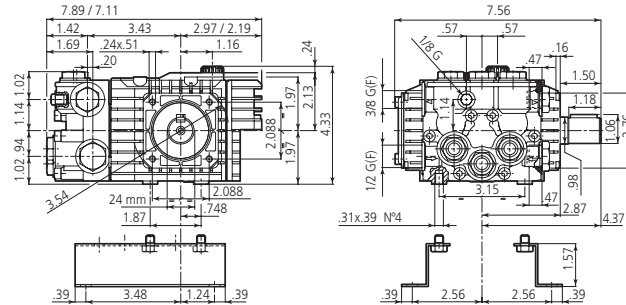
SEALS AND V-PACKINGS: Continuously lubricating for extended life.

PLUNGER RODS: High strength stainless steel.

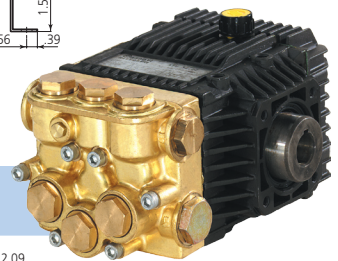
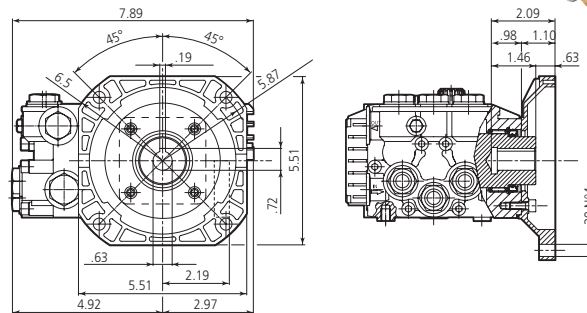
CONNECTING RODS: One piece special alloy aluminum based and bronze (+1800 PSI) oversized for maximum strength, load disbursement, and long life. Heavy pin area construction, for added load strength.

DIMENSIONS

XTA N version Solid shaft pump ø 24 mm



XTA E version + F8 Hollow shaft pump ø 5/8"



SPECIFICATIONS

MODEL	MAX GPM	MAX LMP	MAX PSI	MAX BAR	POWER EBHP	BORE DIA MM	STROKE MM	CRANKSHAFT ID STAMP	WEIGHT LBS.
XTA2G15NBA	2.11	8.0	2000	140	3.0	15	9.6	5	10
XTA2G22N	2.11	8.0	2200	150	3.0	15	9.6	5	11
XTA3G16N	3.0	11.4	1600	110	3.0	18	9.6	5	10
XTA3G19N	3.0	11.4	1900	130	4.0	18	9.6	5	11
XTA3G22N	3.0	11.4	2200	150	4.5	18	9.6	5	11
XTA0.5G10EBA-F8	0.5	1.9	1000	69	3.4	15	2.2	2	8.5
XTA1G15E-F8	1.0	3.8	1500	103	1.0	15	4.83	D	10
XTA2G15EBA-F8	2.11	8.0	1800	124	2.5	15	9.6	5	10
XTA2G22E-F8	2.11	8.0	2200	152	3.0	15	9.6	5	11
XTA3G16EBA-F8	3.0	11.4	1600	110	3.0	18	9.6	5	10
XTA3G19E-F8	3.0	11.4	1900	130	4.0	18	9.6	5	11
XTA3G22E-F8	3.0	11.4	2200	152	4.5	18	9.6	5	11
XTA4G15EBA-F8	4.0	15.0	1500	103	4.0	18	12.8	7	11

PSI ≤ 1740 = Oil Capacity = 8 oz Maximum Fluid Temperature = 140° F
 PSI ≥ 1740 = Oil Capacity = 10 oz Maximum Fluid Temperature = 140° F

Inlet Thread = 1/2" F
 Inlet Thread = 1/2" F

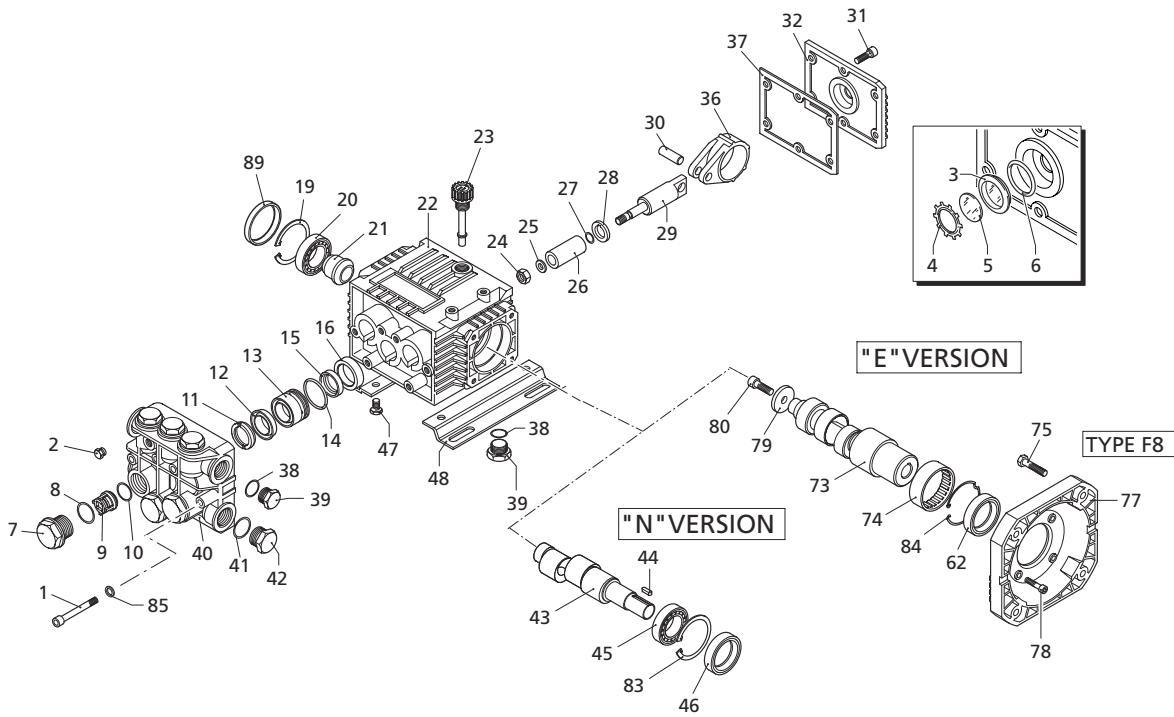
Discharge Thread = 3/8" F
 Discharge Thread = 3/8" F

Torque Specifications Inch pounds (ft. lbs)

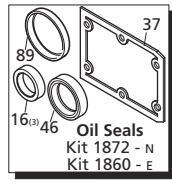
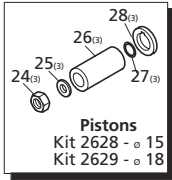
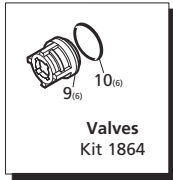
	HEAD	PISTON NUT	REAR COVER	SIDE COVER	VALVE CAP	CON RODS
PSI ≤ 1740	89 (7.5)	106 (8.8)	48 (4.0)	N/A	300 (25)	N/A
PSI ≥ 1740	137 (11)	106 (8.8)	48 (4.0)	N/A	300 (25)	N/A

SPECIAL NOTE: Use AR64516 Oil. First change oil after 50 hours of use. Then every 500 hours. This oil is specially formulated to provide correct lubrication properties for our pumps. **No** other oil is factory approved for these pumps.





Repair Kits



Special Parts / Kits

Code	Description	Qty.
2029	Viton water seals $\phi 15$	1
2030	Viton water seals $\phi 18$	1
2815	Kit for up to 180° F $\phi 15$ High Temp	1
2816	Kit for up to 180° F $\phi 18$ High Temp	1
1836	Rail Kit - 3/8" - 2 Rails & 4 Bolts (N only)	1
1836H	Rail Kit - 1-1/2" - 2 Rails & 4 Bolts (N only)	1

Pos	Code	Description	Qty.	Pos	Code	Description	Qty.
1	1322730	Head bolt M6x60 (137 in/lbs)	6	31	1260760	Bolt M5x20 (48in/lbs)	6
2	620301	Plug 1/8"	1	32	1269101	Rear cover	Low 1
3	1260250	Oil sight glass	1	1329010	Rear cover	High 1	
4	1260430	Snap ring	1	36	1260060	Con rod - Aluminum	3
5	1780690	Contrast disc	1	1320140	Con rod - Bronze	3	
6	1140450	O-Ring $\phi 20.24 \times 2.62$	1	37	1260040	Gasket	1
7	1260162	Valve cap (300 in/lbs)	6	38	740290	O-Ring $\phi 14 \times 1.78$	2
1260162T	Valve Cap 1/4" threaded (300 in/lbs)	1	39	1980740	Plug 3/8" G Brass	2	
1260163	Valve Cap 1/8" threaded (300 in/lbs)	1	40	1320022	Pump head - Brass	<input type="checkbox"/> <input type="checkbox"/> 1	
8	960160	O-Ring $\phi 17.86 \times 2.62$	6	1320020	Pump head - Brass	<input checked="" type="checkbox"/> <input type="checkbox"/> 1	
9	1269050	Complete valve	6	41	180101	O-Ring $\phi 17.5 \times 2$	1
10	880830	O-Ring $\phi 15.54 \times 2.62$	6	42	820361	Plug 1/2" G Brass	1
11	1260140	Support ring reducer brass $\phi 15$	3	43	1260200	Crankshaft 24mm	<input type="checkbox"/> <input type="checkbox"/> 1
12	1260141	Support ring reducer plastic $\phi 15$	3	1260190	Crankshaft 24mm	<input type="checkbox"/> <input checked="" type="checkbox"/> 1	
13	1520120	Support ring $\phi 15$	3	1320260	Crankshaft 24mm	<input type="checkbox"/> <input type="checkbox"/> 1	
1320340	Support ring $\phi 18$	3	44	1380520	Key	1	
1271650	High pressure packing $\phi 15$	3	45	1320370	Bearing	1	
1260220	High pressure packing $\phi 18$	3	46	1260750	Oil seal	1	
1260151	Piston guide $\phi 15$	3	47	1260470	Bolt M8x10	4	
1320351	Piston guide $\phi 18$	3	48	1263890	Rail 1-1/2" (N Version Only)	2	
14	1260420	O-Ring $\phi 26.70 \times 1.78$	3	1260830	Rail 3/8" (N Version Only)	2	
15	1260440	Low pressure seal $\phi 15$	3	62	480671	Oil seal	1
1260450	Low pressure seal $\phi 18$	3	1321110	Hollow shaft $\phi 5/8$ "	<input type="checkbox"/> <input checked="" type="checkbox"/> 1		
16	1260460	Oil seal	3	1322240	Hollow shaft $\phi 5/8$ "	<input type="checkbox"/> <input type="checkbox"/> 1	
19	1260790	Circlip $\phi i52$	1	1322250	Hollow shaft $\phi 5/8$ "	<input type="checkbox"/> <input checked="" type="checkbox"/> 1	
20	1320370	Bearing	1	1323030	Hollow shaft $\phi 5/8$ "	<input type="checkbox"/> <input checked="" type="checkbox"/> 1	
21	1320330	Bushing	1	74	1321190	Bearing	1
22	1320010	Pump housing	1	75	650610	Screw 3/8"	4
23	880130	Vented oil cap	1	77	1584	Electric motor flange - NEMA 56-C	1
24	1260110	Nut (106 in/lbs)	3	78	1200430	Bolt M6x16	4
25	1260100	Washer 8x13x0.50	3	79	780230	Washer $\phi 6.5$	1
26	1260120	Plunger $\phi 15$	3	80	390430	Bolt M6x25	1
1260210	Plunger $\phi 18$	3	83	1260790	Circlip $\phi i52$	1	
27	480480	O-Ring $\phi 4.48 \times 1.78$	3	84	1321080	Snap ring	1
28	1260091	Washer (slinger)	3	85	1381550	Washer	6
29	1260070	Plunger rod	3	89	1266740	Cap	1
30	1260080	Plunger rod pin	3				

Code	Description	Qty.
AR64516	Oil	1
OIL CAPACITY - PSI \leq 1740 = 8 oz - Low		
OIL CAPACITY - PSI \geq 1740 = 10 oz - High		

Legend

$\phi 15$	$\phi 18$	$\phi 18$
For <input type="checkbox"/>	For <input checked="" type="checkbox"/>	For <input type="checkbox"/>
XTA1G15	XTA3G16	XTA3.5G17 (N)
XTA2G15	XTA3G19	XTA3.5G20
	XTA3G22	
For <input type="checkbox"/>	For <input checked="" type="checkbox"/>	
XTA2G20	XTA4G10 (N)	
XTA2G22	XTA4G15	
For <input checked="" type="checkbox"/>		
XTA0.5G10 (E)		

