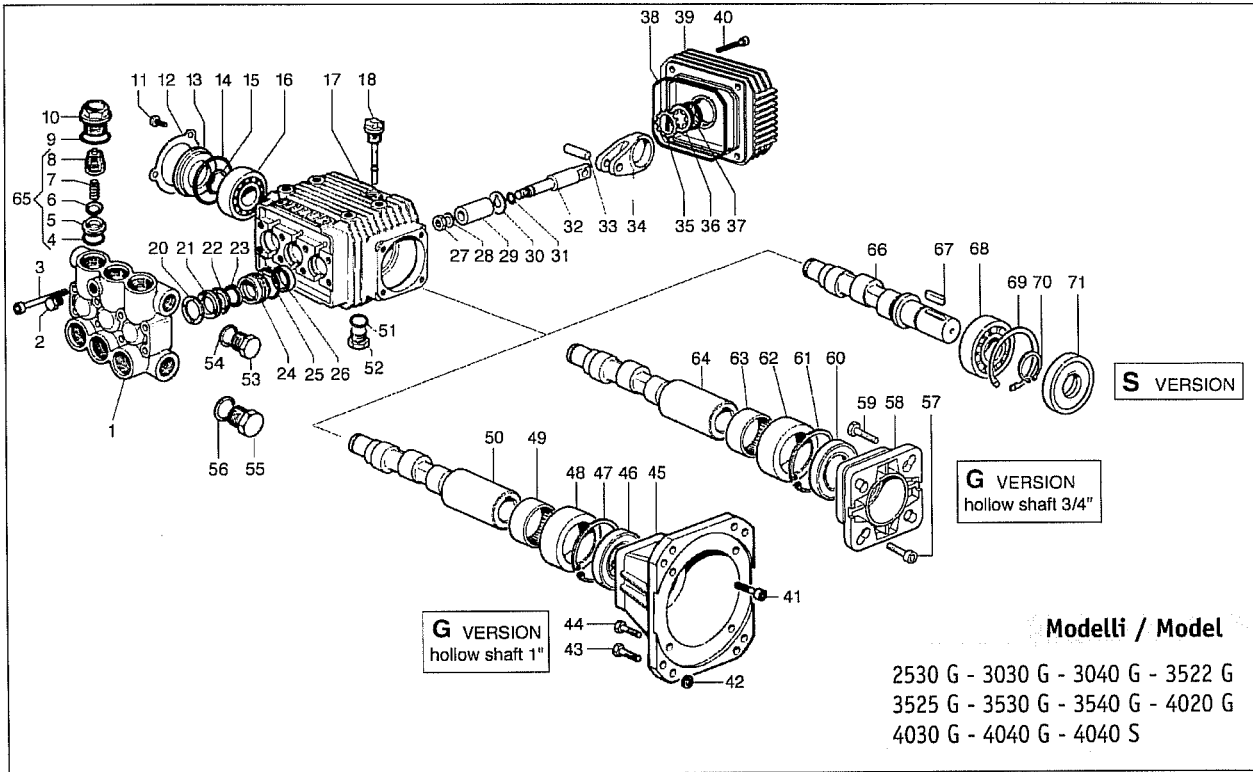


• ZWD 3400 R.p.m. •



Modelli / Model

2530 G - 3030 G - 3040 G - 3522 G
 3525 G - 3530 G - 3540 G - 4020 G
 4030 G - 4040 G - 4040 S

N°	Cod.	Kit	Description	Qty	Note
1	3218 0323		MANIFOLD Ø 15 BRASS	1	2530 G - 3030 G 3522 G - 3525 G 3530 G - 4020 G 4030 G
	3218 0324		MANIFOLD Ø 15 BRASS	1	3040 G - 3540 G 4040 G - 4040 S
2	3202 0018		CAP G1/8	1	
3	3609 0152		SCREW M6X55	8	2530 G - 3030 G 3522 G - 3525 G 3530 G - 4020 G 4030 G
	3609 0156		SCREW M8X55	8	3040 G - 3540 G 4040 G - 4040 S
4	1210 0046	A-D	O-RING 2,62X 17,13 mm	6	
5	3009 0087	A	VALVE SEAT	6	
6	3604 0017	A	VALVE PLATE	6	
7	1802 0177	A	SPRING	6	
8	1205 0025	A	VALVE GUIDE	6	
9	1210 0048	A-D	O-RING 2,62X 20,24 mm	6	
10	3202 0267		CAP	6	2530 G - 3030 G 3522 G - 3525 G 3530 G - 4020 G 4030 G
	3202 0269		CAP	6	3040 G - 3540 G 4040 G - 4040 S
11	3609 0088		SCREW M5X10	3	
12	1004 0012		CRANKCASE COVER	1	
13	0402 0172		SPACER	1	
14	1210 0386	D	O-RING 3,53X44,04 mm	1	
15	3019 0011		SNAP RING	1	
16	0438 0069		BALL BEARING 20X52X15 mm	1	
17	0403 0128		CRANKCASE	1	2530 G - 3030 G 3522 G - 3525 G 3530 G - 4020 G 4030 G
	0403 0141		CRANKCASE	1	3040 G - 3540 G 4040 G - 4040 S

N°	Cod.	Kit	Description	Qty	Note
18	3200 0051		OIL DIPSTICK	1	
20	0009 0196	B	HEAD RING Ø15 mm	3	
21	1241 0034	B	PACKING Ø15 mm	3	
22	0009 0223	B	RING Ø 15 mm	3	
23	1241 0030	B	PACKING 15X22X5,5 mm	3	
24	0009 0222		RING Ø15 mm	3	
25	1210 0223	B-D	O-RING 1,78X26,7 mm	3	
26	0019 0095	D	OIL SEAL 15X24X5 mm	3	
27	0600 0048	C	NUT	3	
28	2811 0080	C	WASHER 8,2X14X1,5 mm	3	
29	0202 0020	C	PISTON Ø15 mm	3	
30	2812 0038	C	WASHER	3	
31	1210 0055	C-D	O-RING 1,78X 6,07 mm	3	
32	2409 0044		PISTON GUIDES	3	
33	3011 0014		WRIST. PIN	3	
34	0205 0050		CON. ROD	3	
35	3019 0033		SNAP RING Ø18 mm	1	
36	3201 0010		OIL INDICATOR	1	
37	1210 0333	D	O-RING 1,78X23,52 mm	1	
38	1210 0206	D	O-RING 2,62X101,27 mm	1	
39	0402 0220		CRANKCASE COVER	1	
40	3609 0180		SCREW M6x50	4	
51	1210 0441	D	O-RING2X14 mm	1	
52	3200 0007		CAP 3/8 GAS OT 58	1	
53	3200 0007		CAP 3/8 GAS OT 58	1	
54	2811 0084		WASHER 16,7x22x1,5 mm	1	
55	3202 0015		CAP G 1/2	1	
56	2811 0086		WASHER 21,2X27X1,5 mm	1	
65	1220 0030		VALVE ASS. BLY.	6	

• ZWD 3400 R.p.m. •

Modelli / Model

3030 G - 3040 G - 3522 G **Versione G** (Albero femmina 1")
 3525 G - 3530 G - 3540 G **G Version** (Hollow Shaft 1")
 4020 G - 4030 G - 4040 G

N°	Cod.	Kit	Description	Qty	Note
41	3609 0032		SCREW M6X20	4	
42	2811 0098		WASHER 10,5X18X2 mm	4	
43	3607 0168		SCREW 3/8" 16x1"	4	
44	3607 0119		SCREW 5/16" 24x 1"	4	
45	3016 0023		FLANGE 1"	1	
46	0019 0102	D	OIL SEAL 40X62X7 mm	1	
47	3020 0012		SNAP RING C 72	1	
48	0204 0038		BUSHING	1	
49	0437 0045		ROLLER 40X47X16 mm	1	
50	0001 0386		CRANKSHAFT 1"	1	3522 G - 3525 G 3530 G - 3540 G
	0001 0449		CRANKSHAFT 1"	1	4020 G - 4030 G 4040 G
	0001 0448		CRANKSHAFT 1"	1	3030 G - 3040 G

Modelli / Model

2530 G **Versione G** (Albero femmina 3/4")
G Version (Hollow Shaft 3/4")

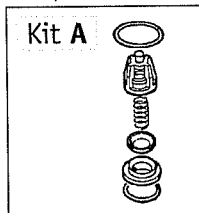
N°	Cod.	Kit	Description	Qty	Note
57	3609 0032		SCREW M6X20	4	
58	3016 0012		FLANGE 3/4"	1	
59	3607 0199		SCREW 5/16" 24X3/4"	4	
60	0019 0102	D	OIL SEAL 40X62X7 mm	1	
61	3020 0012		SNAP RING C 72	1	
62	0204 0038		BUSHING	1	
63	0437 0045		ROLLER 40X47X16 mm	1	
64	0001 0399		CRANKSHAFT 3/4"	1	

Modelli / Model

4040 S **Versione S** (Albero maschio 24 mm)
S Version (Hollow Shaft 24 mm)

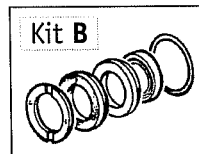
N°	Cod.	Kit	Description	Qty	Note
66	0001 0333		CRANKSHAFT Ø24 mm	1	
67	1602 0045		KEY 8X7X25 mm	1	
68	0438 0071		BALL BEARING 25X62X17 mm	1	
69	3020 0012		SNAP RING C72	1	
70	3019 0006		SNAP RING C72	1	
71	0019 0094	D	OIL SEAL 25X62X10/7 mm	1	

Kit Valvola Aspirazione/Mandata (5025 0011)
 Complete Valve Kit



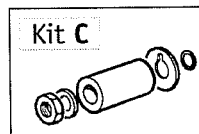
5025 0011		
N°	Cod.	Qty
4	1210 0046	6
5	3009 0087	6
6	3604 0017	6
7	1802 0177	6
8	1205 0025	6
9	1210 0048	6

Kit Guarnizioni Pistoni Ø15 mm (5019 0064)
 Ø15 mm Piston Seal Kit



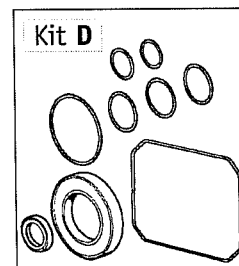
5019 0064		
N°	Cod.	Qty
20	0009 0196	3
21	1241 0034	3
22	0009 0223	3
23	1241 0030	3
25	1210 0223	3

Kit Pistone Ø15 mm • Ø15 mm Piston Kit (2409 0071)



2409 0071		
N°	Cod.	Qty
27	0600 0048	3
28	2811 0080	3
29	0202 0020	3
30	2812 0038	3
31	1210 0055	3

Kit Guarnizioni Pompa • Seal Kit (5019 0065)
 Albero femmina • Hollow shaft



5019 0065		
N°	Cod.	Qty
4	1210 0046	6
9	1210 0048	6
14	1210 0386	1
25	1210 0223	3
26	0019 0095	3
31	1210 0055	3
37	1210 0333	1
38	1210 0206	1
46	0019 0102	1
60	0019 0102	1
51	1210 0441	1