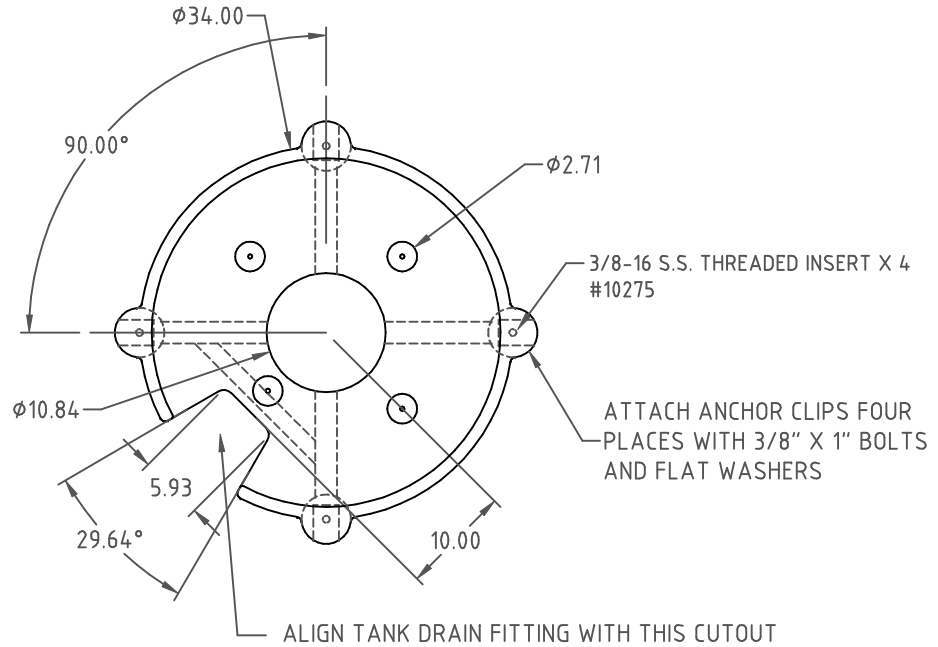
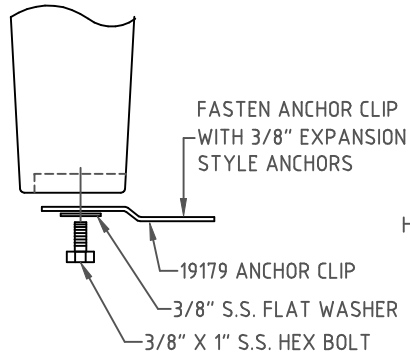
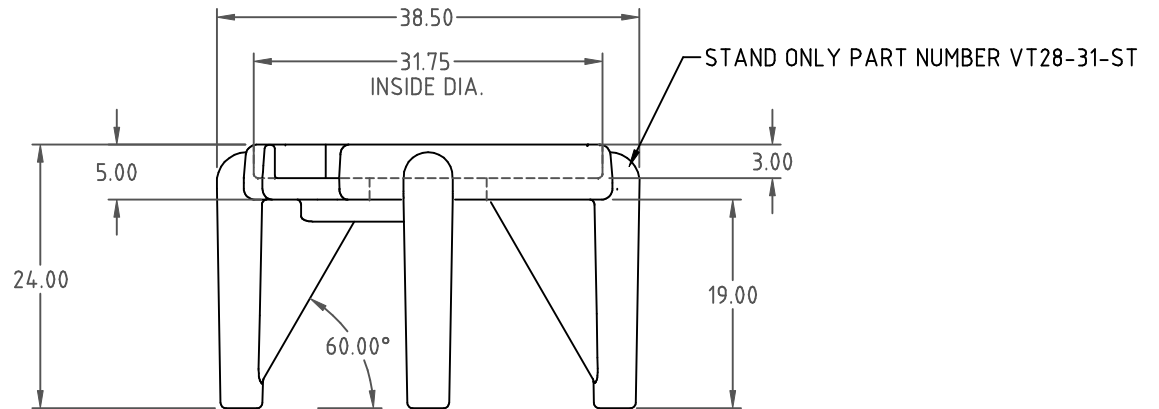
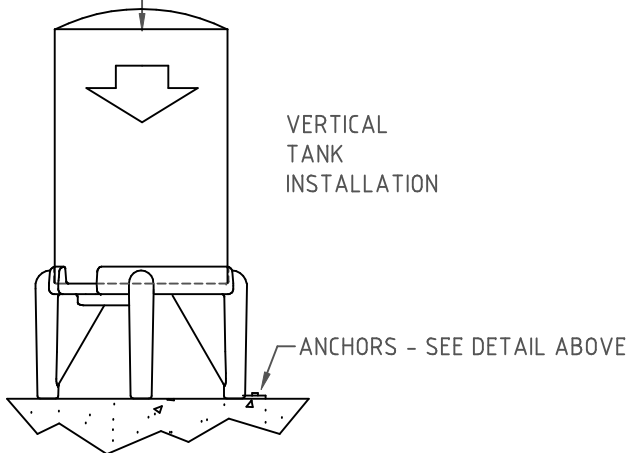


Copyright. All information furnished within this document, electronic file or design correspondence is the property of Den Hartog Industries Inc. and shall not be used, disclosed to others or copied without the expressed written consent of Den Hartog Industries, Inc.



ATTACH ANCHOR CLIPS FOUR PLACES WITH 3/8" X 1" BOLTS AND FLAT WASHERS

MAX. CAPACITY IS 1500 LB.



				DRAWN / DATE REH/9/23/03	MATERIAL / SHOT WEIGHT
A	ADDED HARDWARE PART NUMBER	11/7/07 DHJ	1504	APPRD. / DATE DHJ 9/23/03	8460 35
REV	DESCRIPTION	DATE APPRD	CCN		



Ace Roto-Mold

A DIVISION OF DEN HARTOG INDUSTRIES, INC.  
4010 HOSPERS DRIVE S. BOX 425, HOSPERS, IOWA 51238-0421

CLIENT / DESCRIPTION

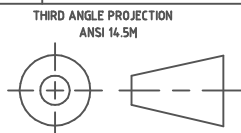
FLAT TOP POLY STAND AND HARDWARE

SCALE  
N.S.

PART NO.  
VT28-31-STP

ALL DIMENSIONS ARE IN DECIMAL INCHES  
TOLERANCES UNLESS OTHERWISE SPECIFIED

± 1% @ 68° F



NOTES:  
1. .188 NOMINAL WALL  
2. STD. COLOR IS BLACK