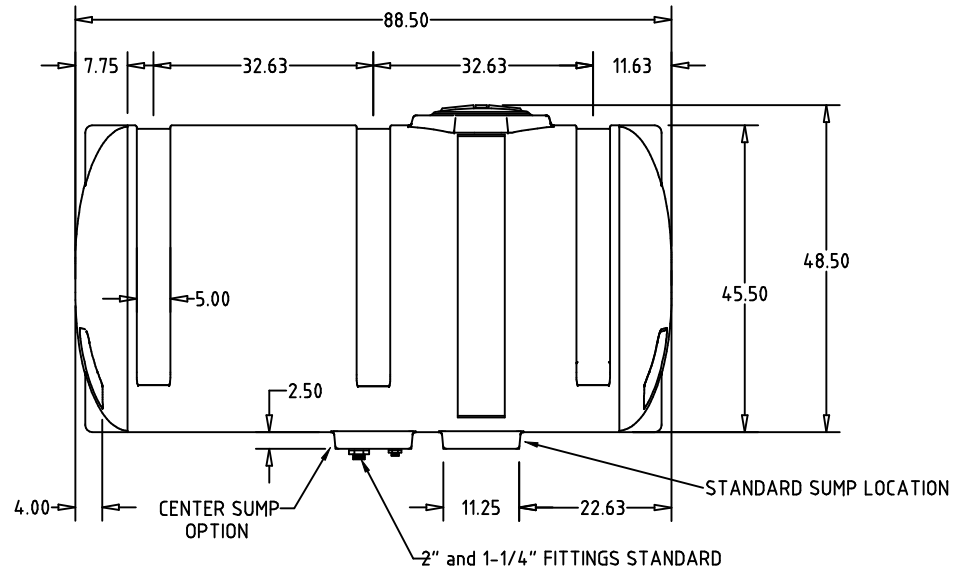
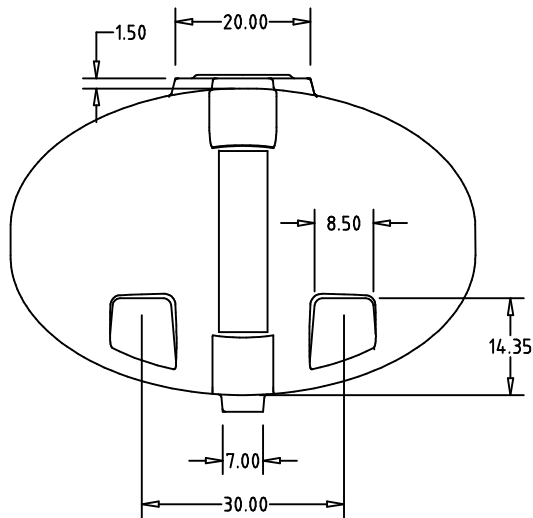
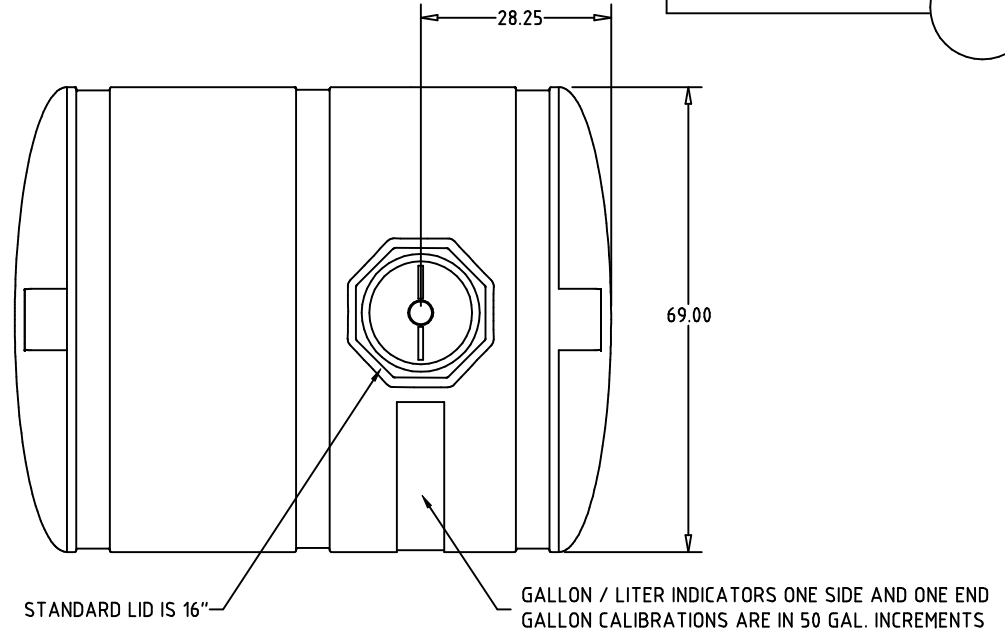
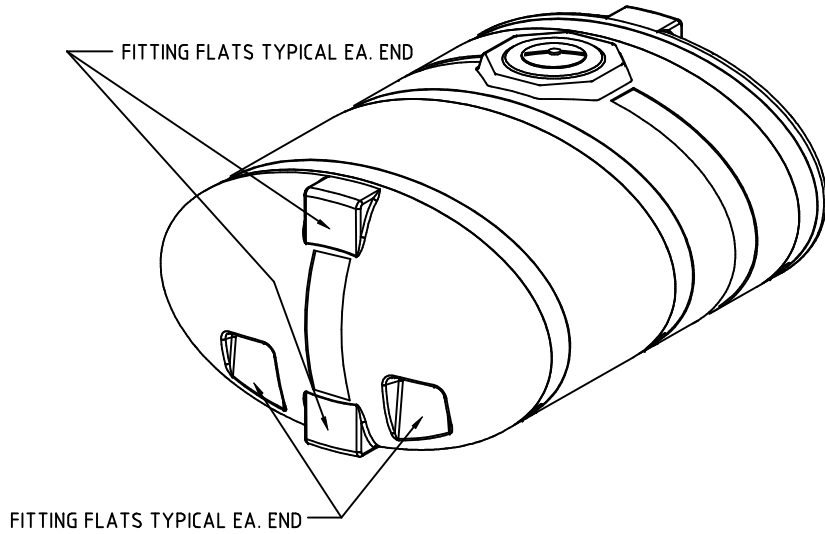

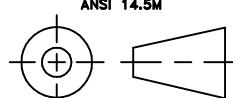


PROPRIETARY DATA

HE0850-69

PROPERTY OF ACE ROTO-MOLD MFG., INC. INFORMATION FURNISHED HEREIN IS THE PROPERTY OF ACE ROTO-MOLD MFG., INC. AND SHALL NOT BE USED, DISCLOSED TO OTHERS, OR COPIED WITHOUT THE EXPRESSED WRITTEN CONSENT OF ACE ROTO-MOLD MFG., INC. ALL RIGHTS RESERVED.



		DRAWN / DATE DHJ/11/18/03		MATERIAL / SHOT WEIGHT		 ACE ROTO-MOLD A DIVISION OF DEN HARTOG INDUSTRIES, INC. 4018 HWY. 60 BLVD., BOX 421, HOSPERS, IOWA 51238	
		APPRD. / DATE ADH/11/12/07		246 LBS. POLYETHYLENE			
REV	DESCRIPTION	DATE	APPRD	NOTES: 1. .330 NOMINAL WALL		CLIENT / DESCRIPTION ACE 850 GALLON ELLIPTICAL TANK	
ALL DIMENSIONS ARE IN DECIMAL INCHES TOLERANCES UNLESS OTHERWISE SPECIFIED $\pm .5\% \text{ @ } 68^{\circ} \text{ F}$				THIRD ANGLE PROJECTION ANSI 14.5M 		SCALE N.S.	PART NO. HE0850-69