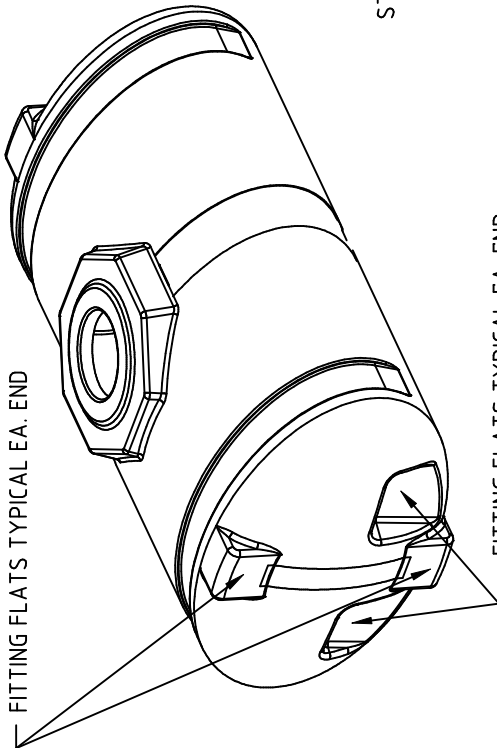
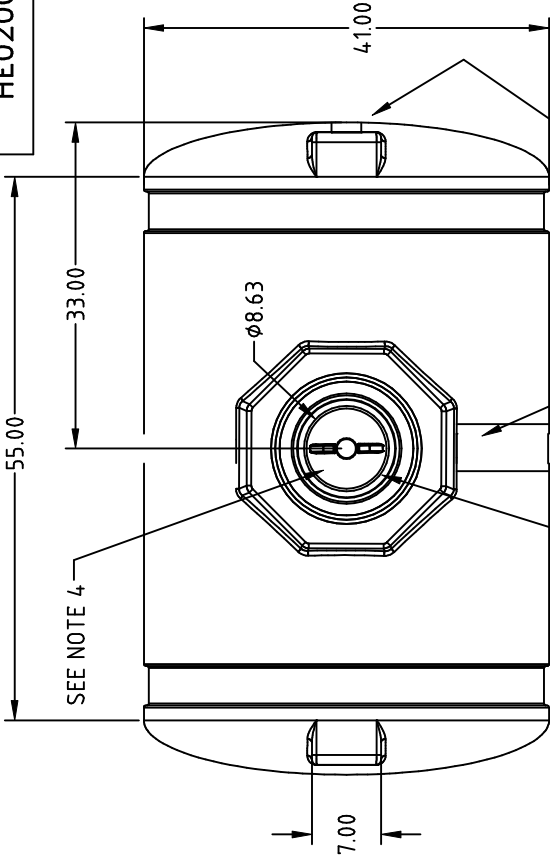


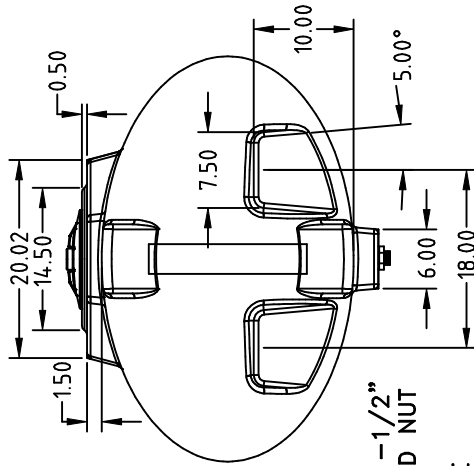
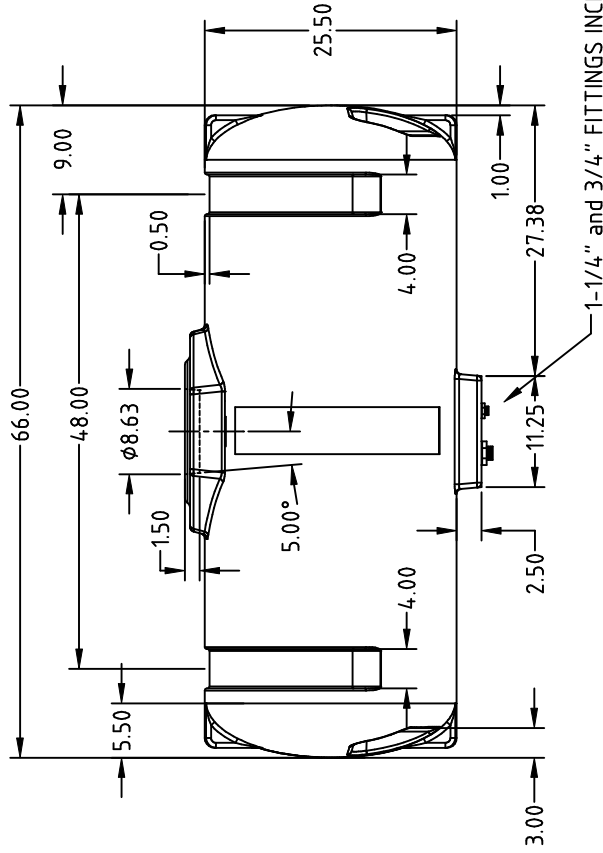
PROPRIETARY DATA

PROPERTY OF ACE ROTO-MOLD MFG., INC. INFORMATION FURNISHED HEREIN IS THE PROPERTY OF ACE ROTO-MOLD MFG., INC. AND SHALL NOT BE USED, DISCLOSED TO OTHERS, OR COPIED WITHOUT THE EXPRESSED WRITTEN CONSENT OF ACE ROTO-MOLD MFG., INC. ALL RIGHTS RESERVED.

HE0200-41



STD. LID IS 8" 12" OR 16" OPTIONAL
 GALLON / LITER INDICATORS ONE SIDE AND ONE END.
 GALLON CALIBRATIONS ARE IN 25 GAL. INCREMENTS



GENERAL NOTES:

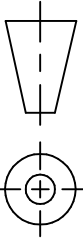
1. USE .027 IN./IN. SHRINK ALLOWANCE
2. MOLD TO BE FULLY WELDED INSIDE AND STITCH WELDED OUTSIDE
3. CLAMPING TO BE WITH 1/2" X 1-1/2" GRADE 8 BOLTS, GRADE 5 NUTS AND NUT HOLDERS.
4. LID RING RECESS TO HAVE KNIFE EDGE ON INSERT TO MINIMIZE TRIMMING.

REV	DESCRIPTION	DATE	APPRD	DRAWN / DATE	MATERIAL / SHOT WEIGHT
				REH/4/16/01	M111 M134 U625 P938
				APPRD. / DATE	82
				REH/4/16/01	

NOTES:
 1. .260 NOMINAL WALL

ALL DIMENSIONS ARE IN DECIMAL INCHES
 TOLERANCES UNLESS OTHERWISE SPECIFIED
 + .5% @ 68° F

THIRD ANGLE PROJECTION
 ANSI 14.5M



ACE ROTO-MOLD
 A DIVISION OF DEN HARTOG INDUSTRIES, INC.
 4018 HWY. 60 BLVD., BOX 421, HOSPERS, IOWA 51238

CLIENT / DESCRIPTION

ACE 200 GALLON ELLIPTICAL TANK

SCALE N.S.

PART NO.

HE0200-41