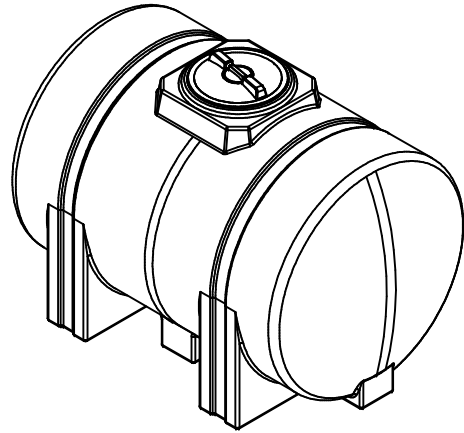


PROPRIETARY DATA

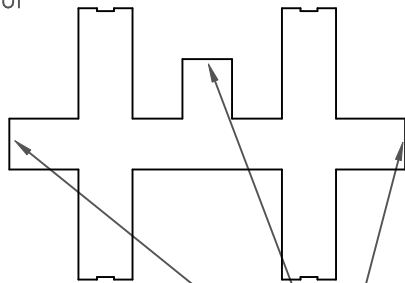
PROPERTY OF ACE ROTO-MOLD MFG., INC. INFORMATION FURNISHED HEREIN IS THE PROPERTY OF ACE ROTO-MOLD MFG., INC. AND SHALL NOT BE USED, DISCLOSED TO OTHERS, OR COPIED WITHOUT THE EXPRESSED WRITTEN CONSENT OF ACE ROTO-MOLD MFG., INC. ALL RIGHTS RESERVED.

FS0535-48

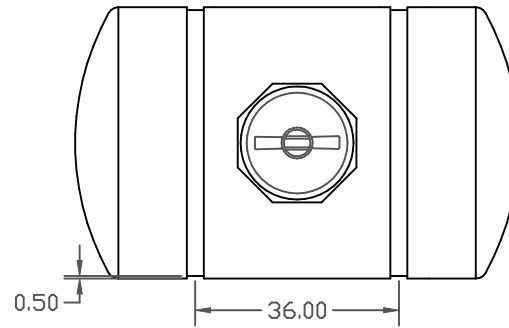


CUTAWAY VIEW OF BOTTOM INSIDE OF TANK

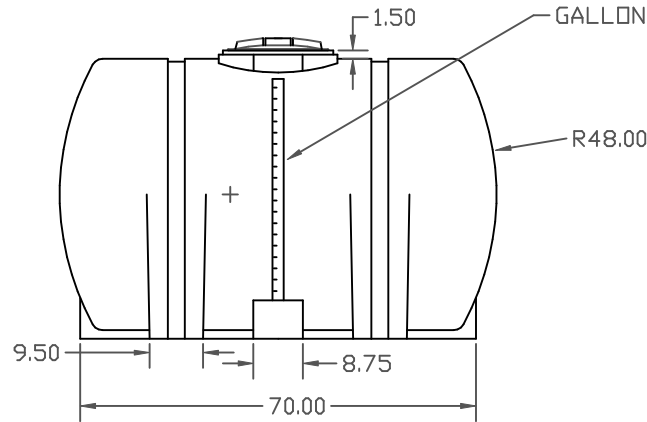
TROUGH PROMOTES DRAINAGE OF TANK



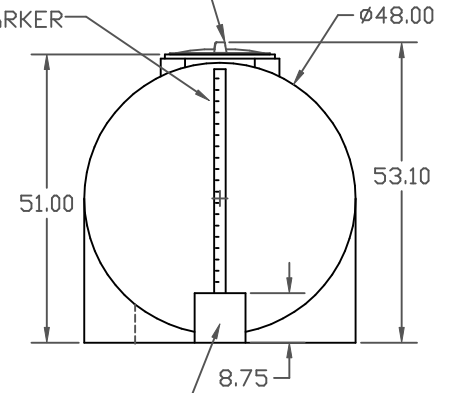
TANK FITTING CAN BE INSTALLED ON ANY OF THESE 3 SUMP LOCATIONS



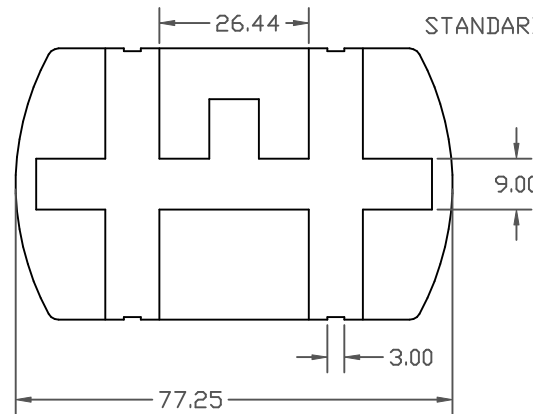
Ø16" LID WITH AIR BREATHER



GALLON MARKER



STANDARD FITTING LOCATION 2 INCH STANDARD



REV	DESCRIPTION	DATE	APPRD

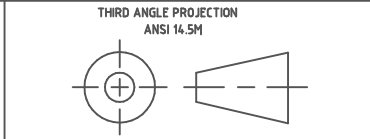
DRAWN / DATE NVE 7/25/05
APPRD. / DATE DHJ 10/14/05

MATERIAL
HDPE OR EQUIVALENT
REFERENCE MATERIAL DATA SHEET FOR SPECIFIC PROPERTIES.

ACE ROTO-MOLD
A DIVISION OF DEN HARTOG INDUSTRIES, INC.
4018 HWY. 60 BLVD., BOX 421, HOSPERS, IOWA 51238

CLIENT / DESCRIPTION
535 GALLON FREE STANDING LEG TANK

ALL DIMENSIONS ARE IN DECIMAL INCHES
TOLERANCES UNLESS OTHERWISE SPECIFIED
± 1% @ 68° F



- NOTES:
1. WHITE, YELLOW
 2. SHOT WEIGHT 160 LBS.
 3. NOM. WALL @ .285

SCALE
N.S.

PART NO.
FS0535-48