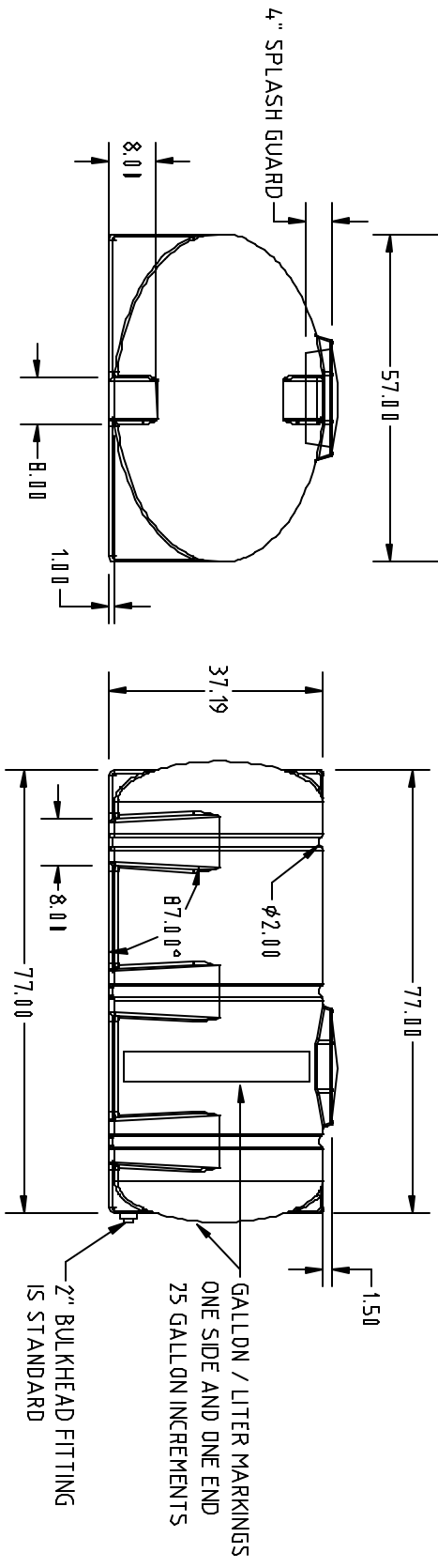
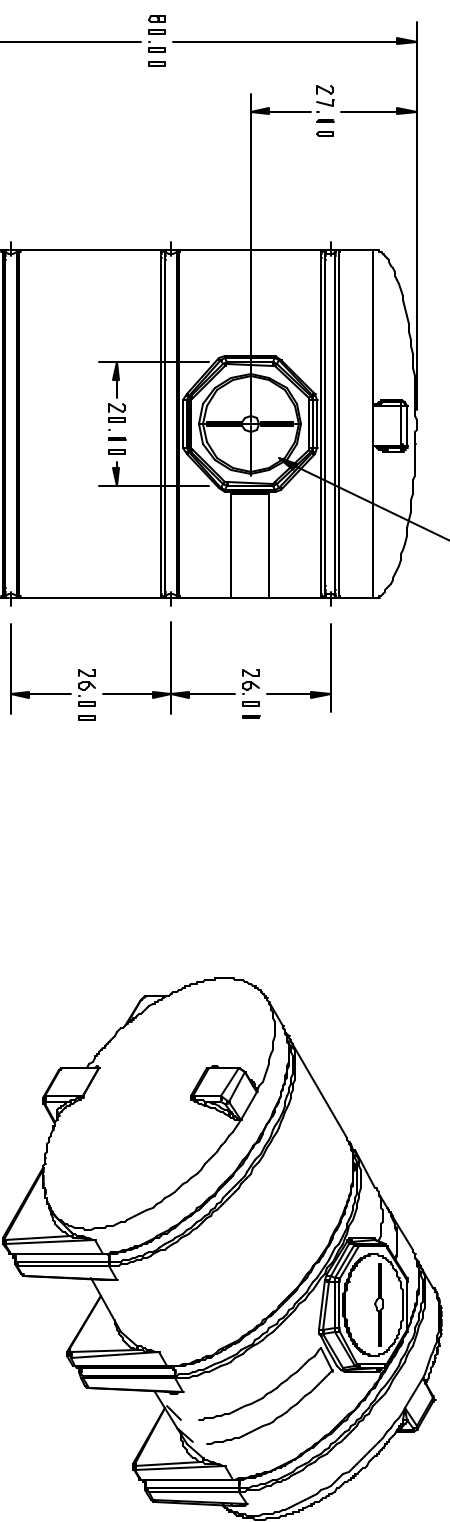



PROPRIETARY DATA

PROPERTY OF ACE ROTOMOLD MFG. INC. INFORMATION FURNISHED HEREIN IS THE PROPERTY OF ACE ROTOMOLD MFG. INC. AND SHALL NOT BE USED, DISCLOSED TO OTHERS, OR COPIED WITHOUT THE EXPRESSED WRITTEN CONSENT OF ACE ROTOMOLD MFG. INC. ALL RIGHTS RESERVED.

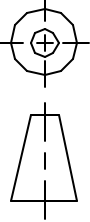
FS0511-57

11852B VENTED LID ASSEMBLY



REV	DESCRIPTION	DATE	APPRO	DRAWN / DATE	MATERIAL	CLIENT / DESCRIPTION
				REH / 5/9/15	MOBL 118 HOPE DR EQUIVALENT REFERENCE MATERIAL DATA SHEET FOR SPECIFIC PROPERTIES.	 <p><b>Ace Rotomold</b> A DIVISION OF MOH HANCOCK INDUSTRIES, INC. 4018 HWY. 60 BLVD., BOX 421, HOSPERG, IOWA 5238</p>
				APPRO. / DATE REH / 5/9/15		

THIRD ANGLE PROJECTION AND 1/8" = 1"



NOTES:  
1. NOM. WALL @ .3011  
2. WHITE DR COLOR  
3. SHOT WEIGHT 162 LBS.

SCALE N.S.

PART NO.

FS0510-57 ELLIPTICAL LEG TANK

ALL DIMENSIONS ARE IN DECIMAL INCHES  
TOLERANCES UNLESS OTHERWISE SPECIFIED  
± 1% @ 68° F

SCALE N.S.

PART NO.

FS0510-57