

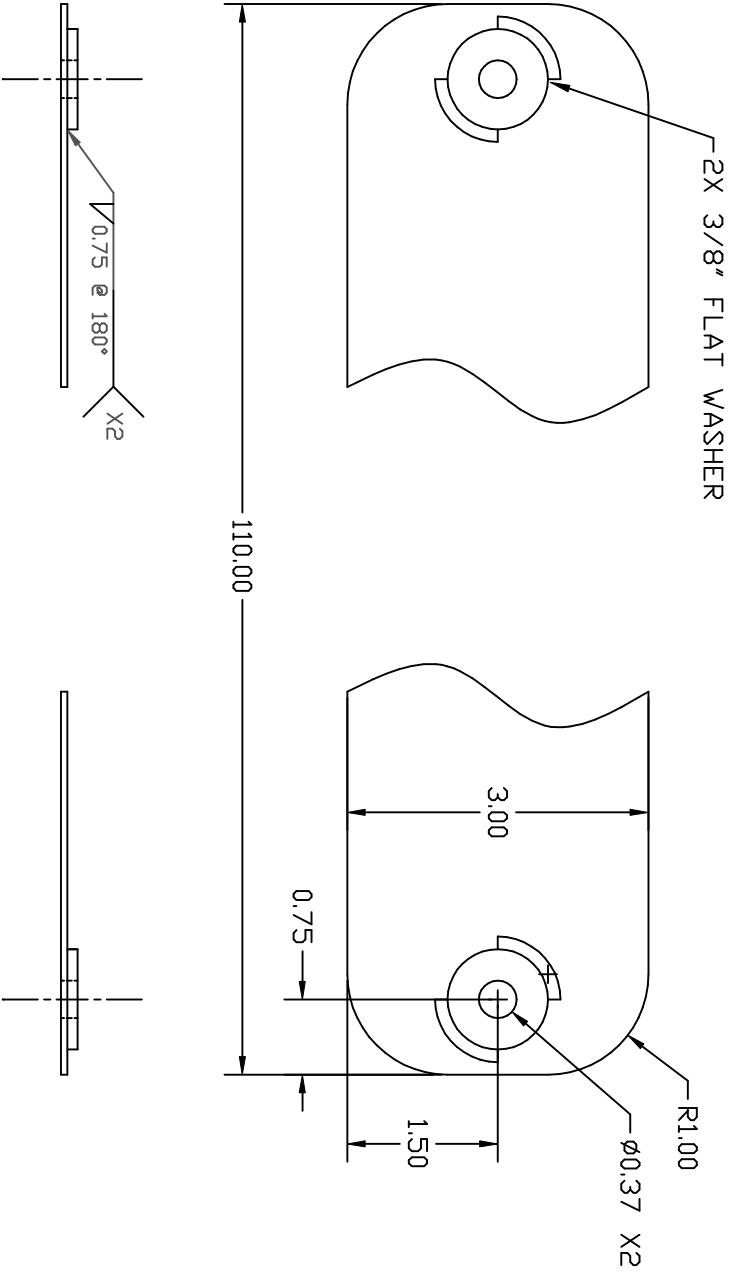
PROPRIETARY DATA

PROPERTY OF DEN HARTOG INDUSTRIES, INC. INFORMATION FURNISHED HEREIN IS THE PROPERTY OF DEN HARTOG INDUSTRIES, INC. AND SHALL NOT BE USED, DISCLOSED TO OTHERS, OR COPIED WITHOUT THE EXPRESSED WRITTEN CONSENT OF DEN HARTOG INDUSTRIES, INC. ALL RIGHTS RESERVED.

FS0335-SBPJ | 2 PER KIT

MATERIAL/PART SCHEDULE		FS0335-SBPJS
PART #	DESCRIPTION	QTY.
S-14GA	14GA MILD STEEL SHEET	330 SI
SJ10937	3/8" FLAT WASHER	2

Ⓒ



C	ADD TEXT BOX	3/30/07	GWC	DRAWN / DATE	NVE 12/7/05	MATERIAL	14GA (0747) MILD STEEL	CLIENT / DESCRIPTION	ACE ROTO-MOLD A DIVISION OF DEN HARTOG INDUSTRIES, INC. 4018 HWY. 60 BLVD., BOX 421, HOSPERS, 10W/A 51238
B	TOLERANCE WAS 1% @ 68° F	3/16/07	GWC	APPRD. / DATE	REH/1/13/06	NOTES:	1. POWDER COATED 2. WEIGHT 7.00 LBS.	SCALE	N.S.
A	UPDATED PRINT, ADDED WELD DESC.	6/27/06	NVE	THIRD ANGLE PROJECTION	ANSI 14.5M			PART NO.	FS0335-SBPJS
REV	DESCRIPTION	DATE	APPRD	ALL DIMENSIONS ARE IN DECIMAL INCHES TOLERANCES UNLESS OTHERWISE SPECIFIED DECIMAL +/- .064" FRACTION +/- 1/8" ANGLE +/- 1°					