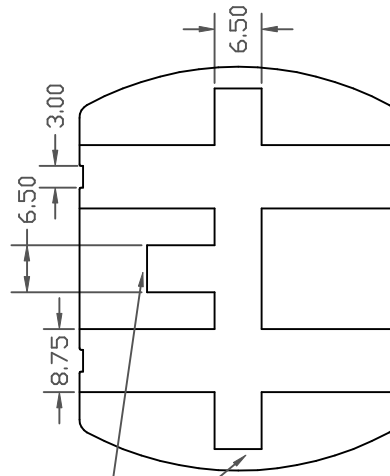
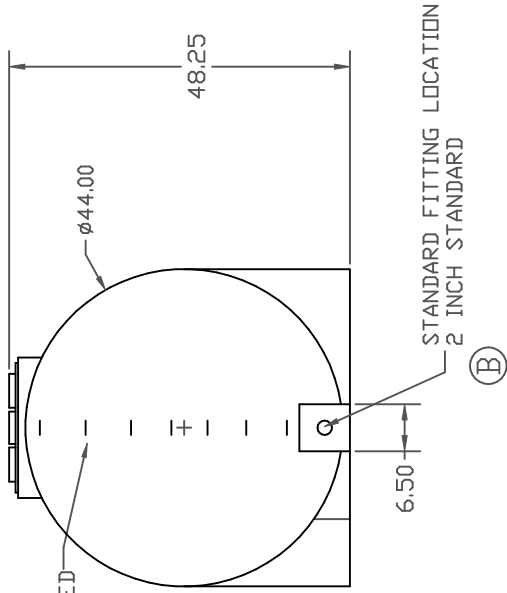
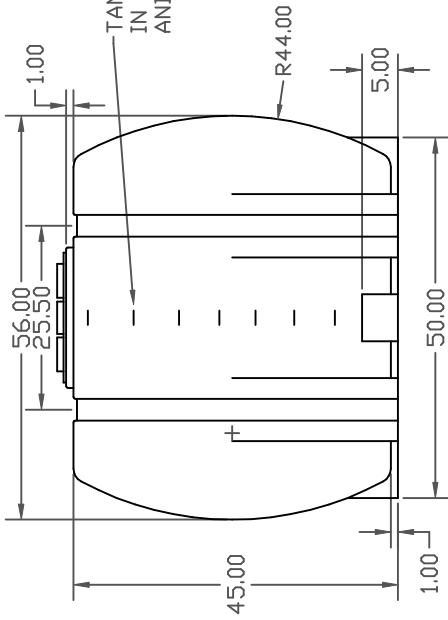
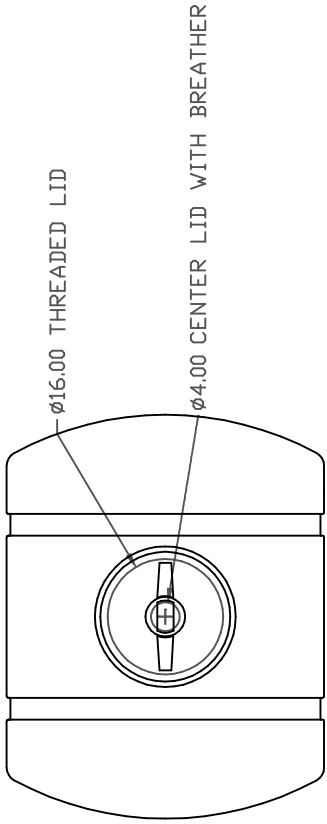


PROPRIETARY DATA

PROPERTY OF ACE ROTO-MOLD MFG. INC. INFORMATION FURNISHED HEREIN IS THE PROPERTY OF ACE ROTO-MOLD MFG. INC. AND SHALL NOT BE USED, DISCLOSED TO OTHERS, OR COPIED WITHOUT THE EXPRESSED WRITTEN CONSENT OF ACE ROTO-MOLD MFG. INC. ALL RIGHTS RESERVED.

FS0335-44

B



OPTIONAL FITTING LOCATIONS

TANK IS MARKED
IN GALLONS
AND LITERS

ACE ROTO-MOLD
A DIVISION OF DEN HARTOG INDUSTRIES, INC.
4018 HWY. 60 BLVD., BOX 421, HOSPERS, IOWA 51238

MATERIAL	
HDPE OR EQUIVALENT REFERENCE MATERIAL DATA SHEET FOR SPECIFIC PROPERTIES.	

DRAWN / DATE	
DHJ 12/20/02	
APPRD. / DATE	
NVE 10/11/05	

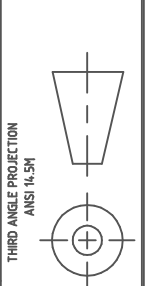
REV	DESCRIPTION	DATE	APPRD	CCN
B	CLARIFY STANDARD FITTING	10/2/07	DHJ	
A	NEW DRAWING FORMAT	10/11/05	NVE	

CLIENT / DESCRIPTION
335 GALLON FREE-STANDING TANK

SCALE
N.S.

PART NO.
FS0335-44

NOTES:
1. WHITE, BLACK, YELLOW
OR DESERT TAN COLOR
2. SHOT WEIGHT 116 LBS.
3. NOM. WALL @ 0.290
4. 3/4", 1", 1.25", 1.5", 2" OR 3" FITTING



ALL DIMENSIONS ARE IN DECIMAL INCHES
TOLERANCES UNLESS OTHERWISE SPECIFIED
± 1% @ 68° F