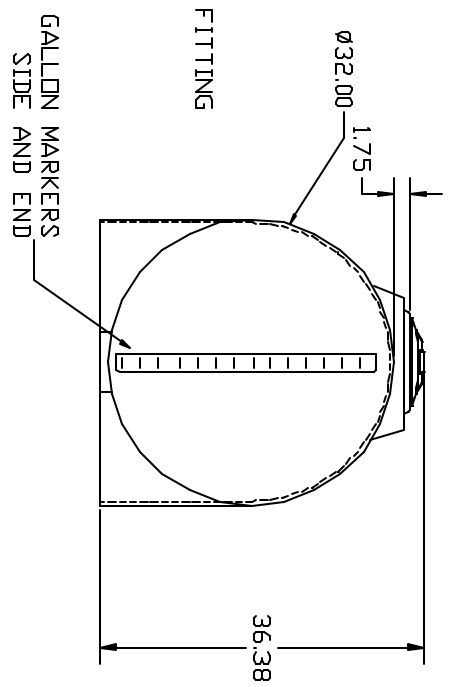
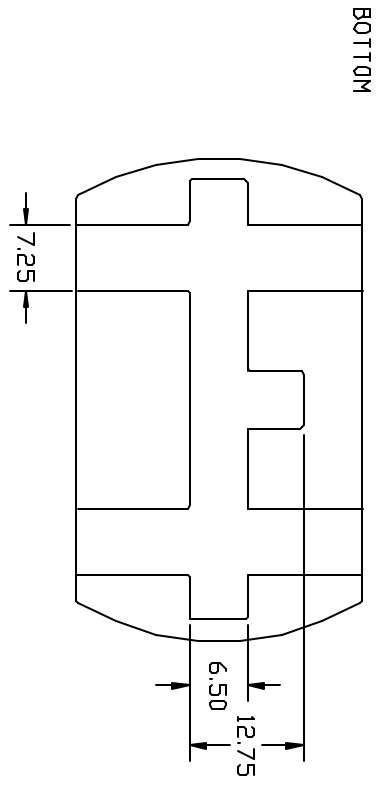
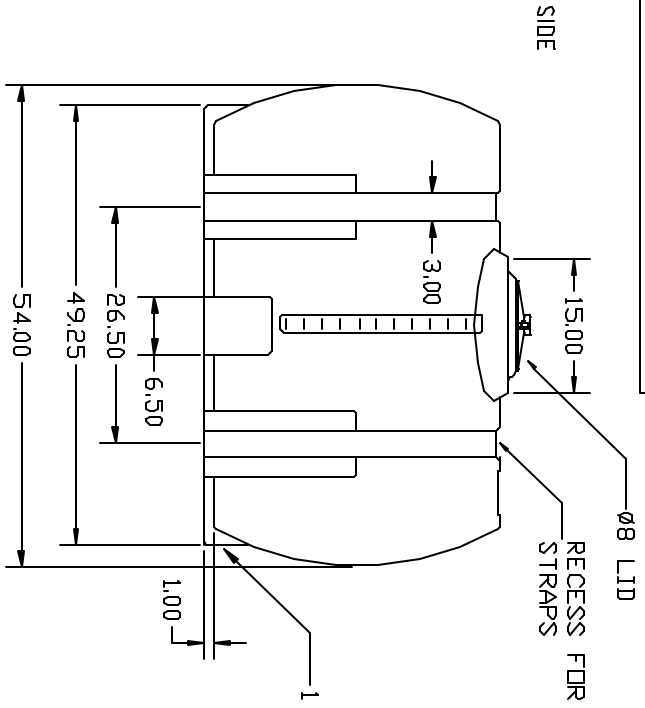


PROPRIETARY DATA

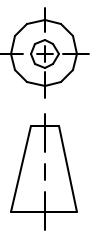
PROPERTY OF ACE ROTOMOLD MFG. INC. INFORMATION FURNISHED HEREIN IS THE PROPERTY OF ACE ROTOMOLD MFG. INC. AND SHALL NOT BE USED, DISCLOSED TO OTHERS, OR COPIED WITHOUT THE EXPRESSED WRITTEN CONSENT OF ACE ROTOMOLD MFG. INC. ALL RIGHTS RESERVED.

FS0165-32



REV	DESCRIPTION	DATE	APPRO	DRAWN / DATE	MATERIAL
				NVE 6/9/15	
				APPRO. / DATE	
				DHL 6/21/15	

THIRD ANGLE PROJECTION
ANSI Z39.1-1993



NOTES:
1. NOM. WALL @ 2011
2. WHITE DR. COLOR
3. SHOT WEIGHT 71 LBS.

MOBL 134. HORE DR EDUNGLANT
REFERENCE MATERIAL DATA SHEET
FOR SPECIFIC PROPERTIES.

Ace Roto-Mold
A DIVISION OF MOBIL HARTON INDUSTRIAL MARKING
4018 HWY. 60 BLVD., BOX 421, HOSPIERS, IOWA 57238

CLIENT / DESCRIPTION

165 GALLON CAPACITY
FREE STANDING LEG TANK

SCALE

N.S.

PART NO.

FS0165-32

ALL DIMENSIONS ARE IN DECIMAL INCHES
TOLERANCES UNLESS OTHERWISE SPECIFIED
± 1% @ 68° F