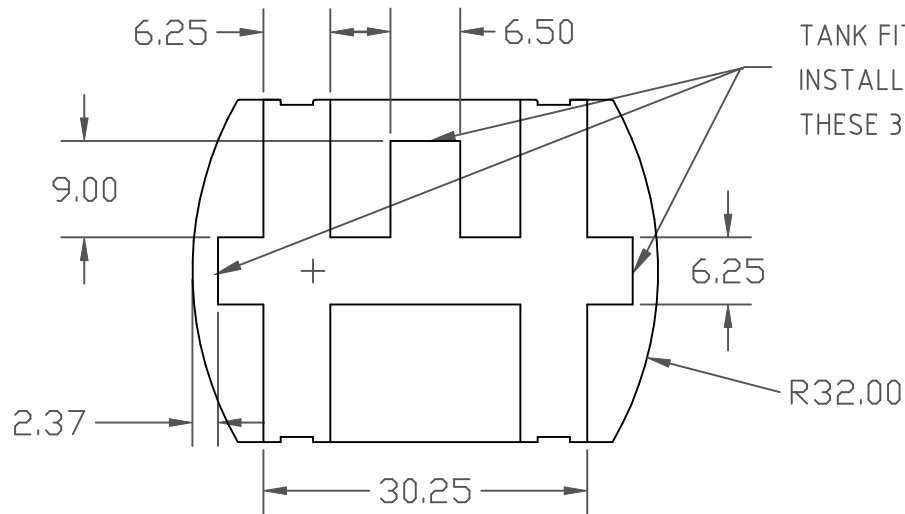
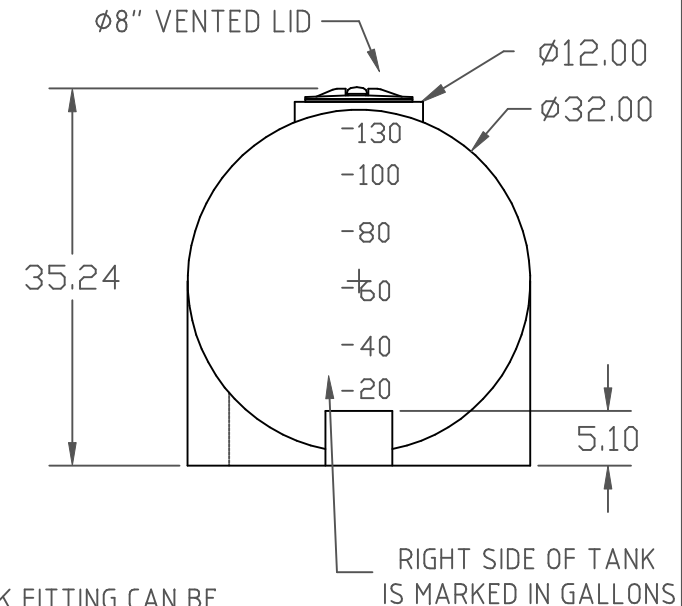
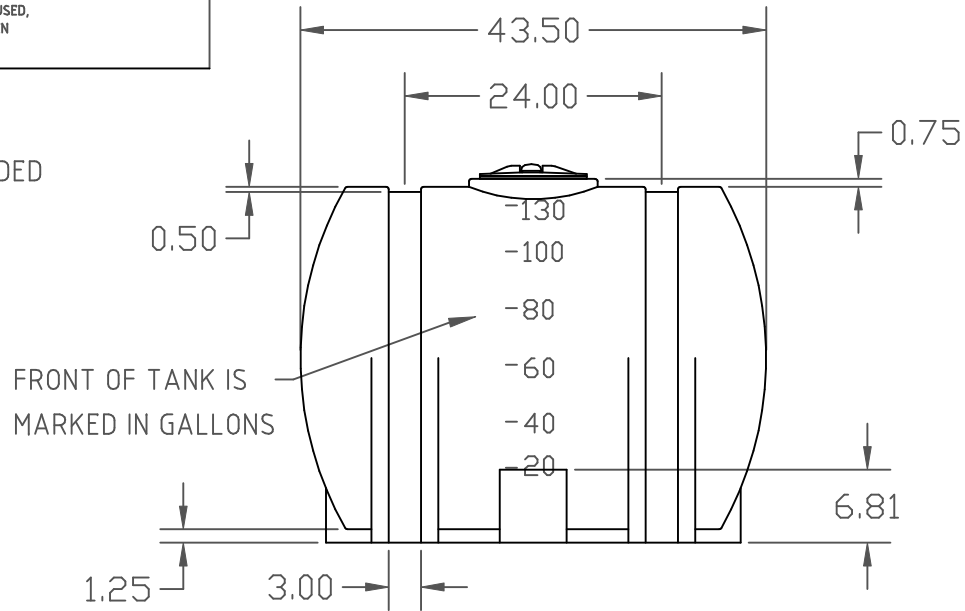


PROPRIETARY DATA

FS0125-32


PROPERTY OF ACE ROTO-MOLD MFG., INC. INFORMATION FURNISHED HEREIN IS THE PROPERTY OF ACE ROTO-MOLD MFG., INC. AND SHALL NOT BE USED, DISCLOSED TO OTHERS, OR COPIED WITHOUT THE EXPRESSED WRITTEN CONSENT OF ACE ROTO-MOLD MFG., INC. ALL RIGHTS RESERVED.

1. SPECIFIC GRAVITY IS 1.75
2. 1 PIECE ROTATIONALLY MOLDED
3. TRANSLUCENT
4. FDA APPROVED RESIN
5. CALIBRATED IN GALLONS
6. THREE YEAR WARRANTY
7. UV STABILIZED
8. FREE STANDING



TANK FITTING CAN BE INSTALLED IN ANY OF THESE 3 SUMP LOCATIONS

RIGHT SIDE OF TANK IS MARKED IN GALLONS

DRAWN / DATE DHJ 3/10/94		MATERIAL HDPE OR EQUIVALENT REFERENCE MATERIAL DATA SHEET FOR SPECIFIC PROPERTIES.		 <b>ACE ROTO-MOLD</b> A DIVISION OF DEN HARTOG INDUSTRIES, INC. 4018 HWY. 60 BLVD., BOX 421, HOSPERS, IOWA 51238	
APPRD. / DATE ADH 11/9/07		NOTES: 1. SHOT WEIGHT 56 LBS. 2. BLACK, GREEN, WHITE OR YELLOW COLOR			
REV	DESCRIPTION	DATE	APPRD	CLIENT / DESCRIPTION 125 GALLON LEG TANK	
ALL DIMENSIONS ARE IN DECIMAL INCHES TOLERANCES UNLESS OTHERWISE SPECIFIED $\pm$ 1% @ 68° F				SCALE N.S. PART NO. FS0125-32	