

HIGH PRESSURE HOSE REEL

5 year limited warranty

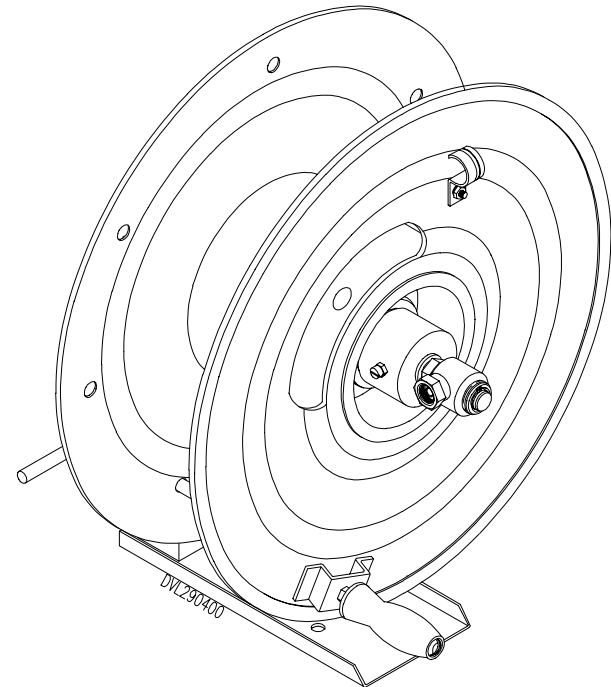
5000 psi maximum pressure

- ◆ Unit comes standard with 3/8" swivel outlet and 3/8" supply hose.
- ◆ Spring break prevents backlash while unreeling.
- ◆ Adjustable spring break for easy calibration of unwinding speed.
- ◆ Holds 150 feet of 3/8" and 100 feet of 1/2" hose.
- ◆ Heavy duty 16 gauge steel welded construction for increased strength. No screws or bolts to loosen.
- ◆ Hub and flanges are welded, not bolted for increased durability.
- ◆ ON – OFF locking latch to secure spool.
- ◆ Easy installation, no assembly required, comes with mounting template.
- ◆ Temperature ratings from -20° F to 225° F.
- ◆ Powder coated baked enamel paint for long lasting finish and rust protection.
- ◆ 1/2" conversion kit available (optional).
- ◆ Will fit most swivel bases.

Specifications:

Net weight: 25 lbs.

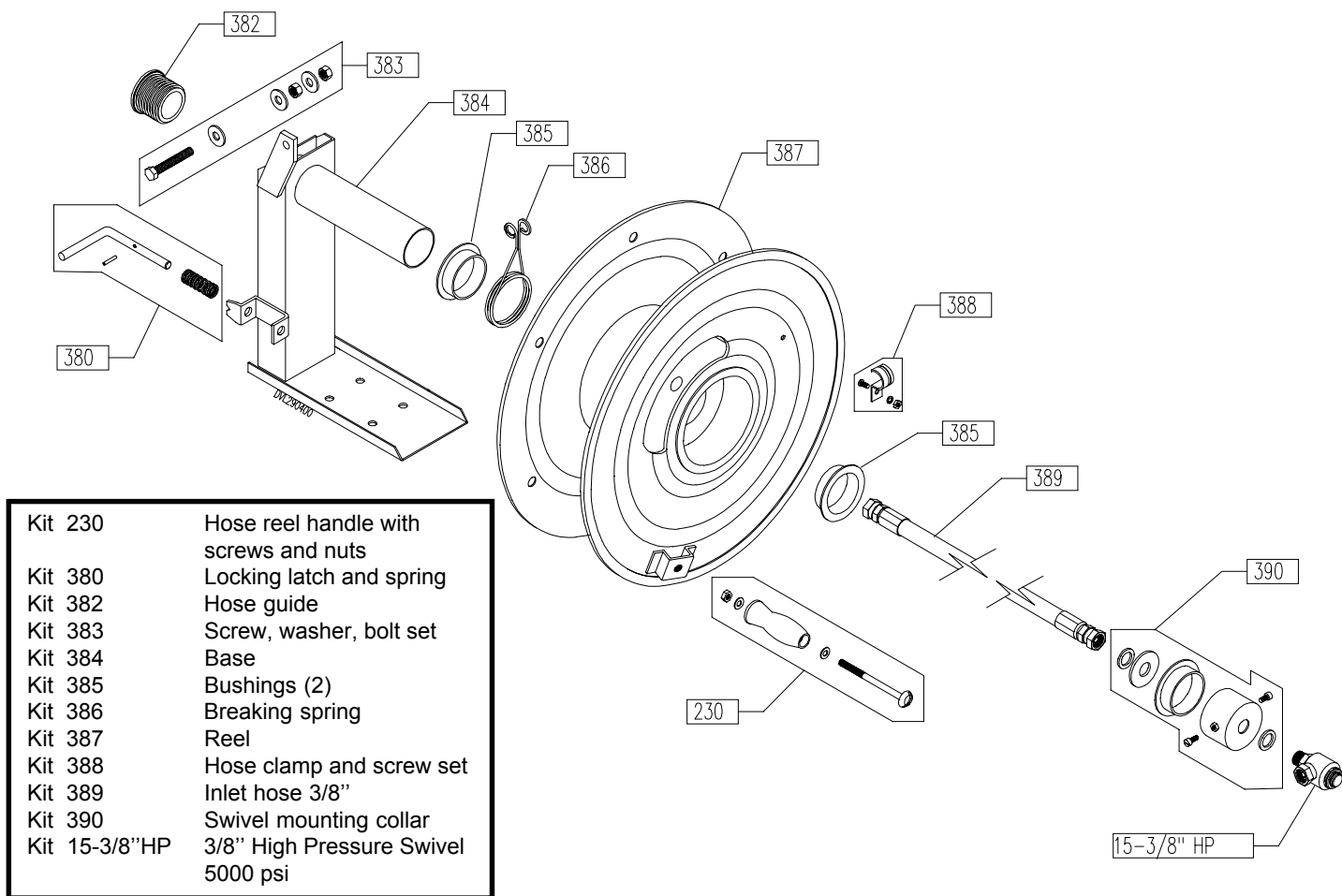
Shipping weight: 30 lbs – hose not included



SPHP5000 High Pressure Hose Reel

Litho'd in Mexico

Assembly Instructions
BN173-100-1200E/EX
Rev. 02



SPHP5000 High Pressure Hose Reel

This unit comes assembled.
Take handle (part #230). Attach to hose reel.

Installation of the Hose Reel

1. Locate the area where you intend to mount your hose reel and make sure that you have plenty of room on all sides to fully turn the reel while coiling.
2. We have supplied you with a template that you may cut out and place on the area where you wish to mount the SPHP5000 Hose Reel. Proceed to drill the holes for the base using a 3/8" drill bit. Use 3/8" bolts to secure the base.

Installation of the Hose

1. Take one end of the hose and place it through kidney shaped opening, leaving approximately 15"- 18" to form your loop. Put hose through hose clamp holder and secure hose. Begin coiling your hose. Once your loop is formed, the farthest portion of the loop should be approximately 2" from the end of the reel. Take care to lay the hose down evenly on the bottom of the layers. Proceed to coil your hose.

Operation of the Hose Reel

1. Adjustment of the breaking mechanism: Tighten nut on spring mechanism (kit 383) to increase drag while pulling. Loosen to decrease drag while pulling.
2. Never exceed maximum working pressure of 5000 psi.
3. If you see any visible wear or damage to the swivel, inlet hose, and/or spray hose, replace immediately.

Congratulations on your purchase of the SPHP5000. May it bring you many years of use.



CAUTION

Never attempt to remove connections while under pressure. This could cause serious injury. Contents may be under pressure as high as 5000 psi. If you see any visible wear or damage to the swivel, inlet hose, and/or spray hose, replace immediately.

Be careful – Be safe.

SPHP5000 High Pressure Hose Reel mounting template

