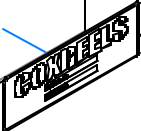
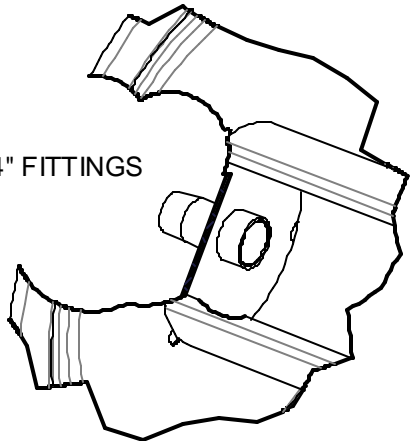


1/2" FITTINGS

3/4" FITTINGS



COMMON PARTS TO ALL STAINLESS STEEL CHALLENGER REELS

| ASSY. ITEM NO. | DETAIL ITEM NO. | PART NO. | DESCRIPTION | 112-4-75-SS | 117-4-225-SS | 117-5-100-SS |
|----------------|-----------------|-------------------------------|---------------------------------------|-------------|--------------|--------------|
| | 1 | 6304-1-12.5-SS | FRAME, "U", CHALLENGER, SS | 1 | * | * |
| | | 6304-2-12.5-SS | FRAME, "U", CHALLENGER, SS | * | 1 | 1 |
| | 2 | 7108-1-12.5-SS | DRUM ASSY, 1/2" NPT, 5.5" X 12.5"W | 1 | * | * |
| | | 7108-2-12.5-SS | DRUM ASSY, 1/2" NPT, 5.5" X 12.5"W | * | 1 | * |
| | | 7108-5-12.5-SS | DRUM ASSY, 3/4" NPT, 5.5" X 12.5"W | * | * | 1 |
| | 3 | 6329-1-1 | BEARING, EPDM, .877" ID, CRANK SIDE | 1 | 1 | 1 |
| | 4 | 6328-1-1 | BEARING, EPDM, .877" ID, SWIVEL SIDE | 1 | 1 | * |
| | | 6328-1-2 | BEARING, EPDM, 1.058" ID, SWIVEL SIDE | * | * | 1 |
| | 5 | 15711-1-SS | PLATE, KEEPER, BEARING | 2 | 2 | 2 |
| | 6 | 3037-SS | RIVET, POP, #64,SS | 4 | 4 | 4 |
| | 7 | 15719 | KNOB, BLACK, PHENOLIC | 1 | 1 | 1 |
| | 8 | 434-SS | SWIVEL, 1/2" NPT, CARBOXYLATED, SS | 1 | 1 | * |
| | | 426-SS | SWIVEL, 3/4" NPT, CARBOXYLATED, SS | * | * | 1 |
| 22 | | 7272-1-SS | CRANK, HAND, ASSEMBLY | 1 | 1 | 1 |
| | 9 | 7107-SS | CRANK, HAND | 1 | 1 | 1 |
| | 10 | 6333 | HANDLE, CRANK, PLASTIC | 1 | 1 | 1 |
| | 11 | 1621-SS | BOLT, SHOULDER, 5/16-18 | 1 | 1 | 1 |
| | 12 | 111-1-SS | NUT, LOCK, 5/16-18 (LOW PROFILE) | 1 | 1 | 1 |
| | 13 | 383 | HOSE CLAMP, #12 | 1 | 1 | * |
| | | 384 | HOSE CLAMP, #18 | * | * | 1 |
| | 14 | 245-SS | SCREW, TRUSS HD, 10-32 X 3/8", SS | 1 | 1 | 1 |
| | 15 | 130-SS | NUT, KEPS, 10-32, SS | 1 | 1 | 1 |
| | 16 | 7146-SS | BOLT, HEX, 1/4-20 X 2-1/4", SS | 1 | 1 | 1 |
| | 18 | 7116-SS | COUPLING, AXLE, PLUMBING, 1/2-14 | 1** | 1** | * |
| | 19 | 7145 | SPACER, PLASTIC | 2 | 2 | 1 |
| | 20 | 688-SS | WASHER, FLAT, 1/4-20 UNC SS | 1 | 1 | 1 |
| 21 | 10925-5 | NAMEPLATE, PRODUCT, STD DECAL | 1 | 1 | 1 | |

**SHOWN FOR REFERENCE ONLY. INCLUDED WITH DRUM ASSEMBLY.