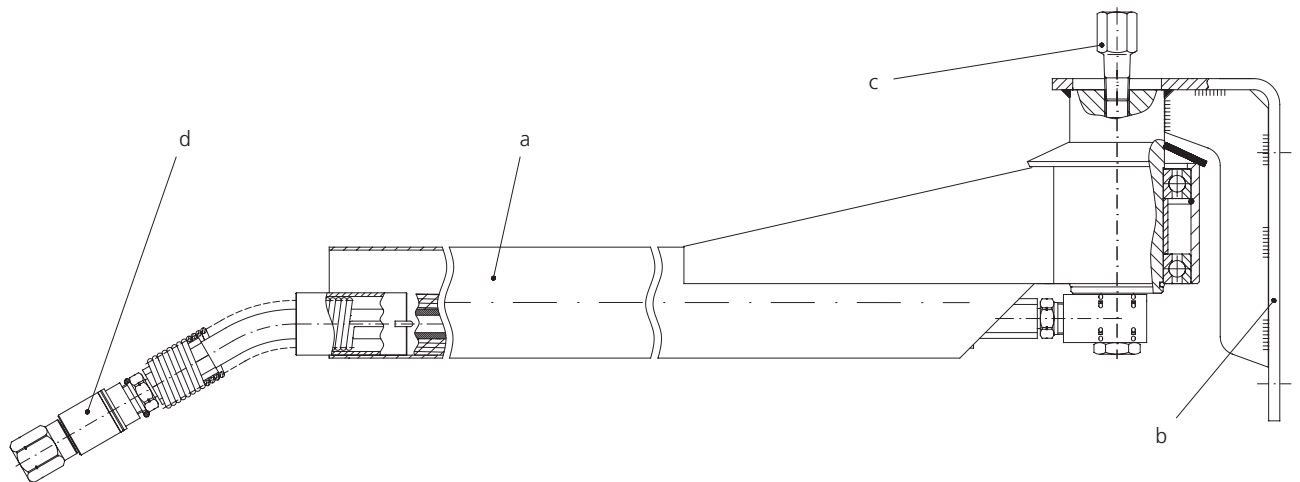


## Assembly instructions

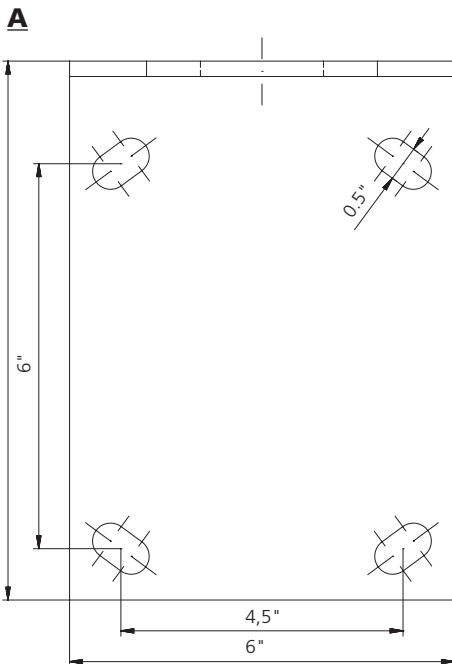
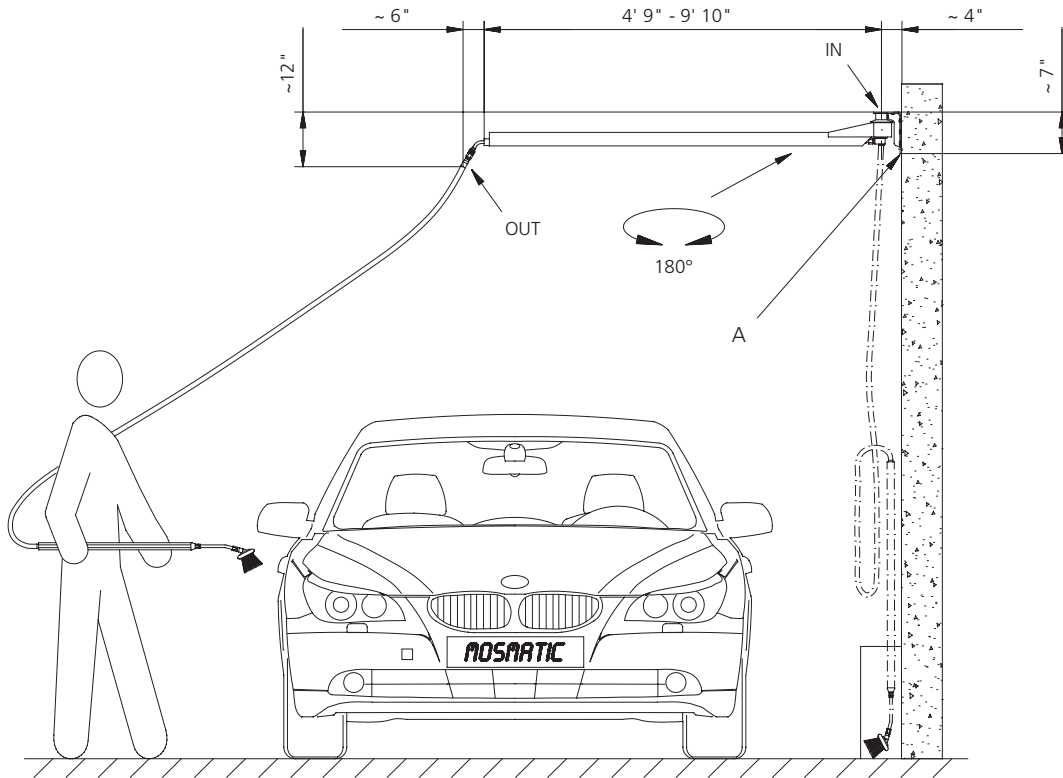


1. Install the wall boom (a) with the mounting plate (b) to the concrete wall or to the steel beam.  
Attention: -bearable hole load (e.g.: bolt M12) at least 30'000N
2. Tightly fasten the high pressure hose or the high pressure pipe connection coming from the high pressure pump, directly to the adapter (c).
3. Tightly fasten the high pressure hose with lance or brush to the swivel (d).

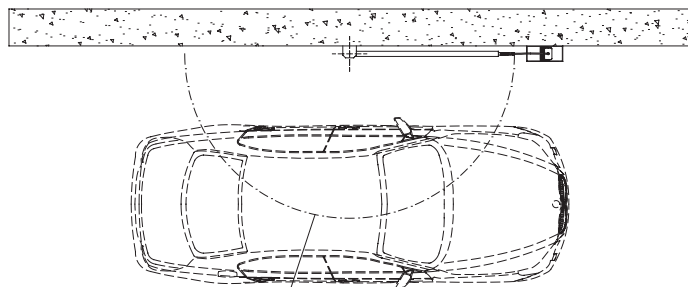
**⚠ For your own safety**

- Read all instructions before the initial operation. Check their proper condition and that they operate safely.
- Our products should only be installed by experienced users of high pressure equipment
- Always use protection gear when using products connected to high pressure.
- Never direct any high pressure water-jet at humans, animals or electric installations.
- Before any maintenance or nozzle-change, turn off the high pressure water supply, e.g.: turn off and secure the power switch.
- Safety regulations and guidelines (Accident Prevention Rules) from the manufacturer of your high pressure cleaner are applicable.
- Nozzle installation according to Nozzle manufacturer.
- No modifications to the unit are permitted.

**Application Concept**



**Top View**



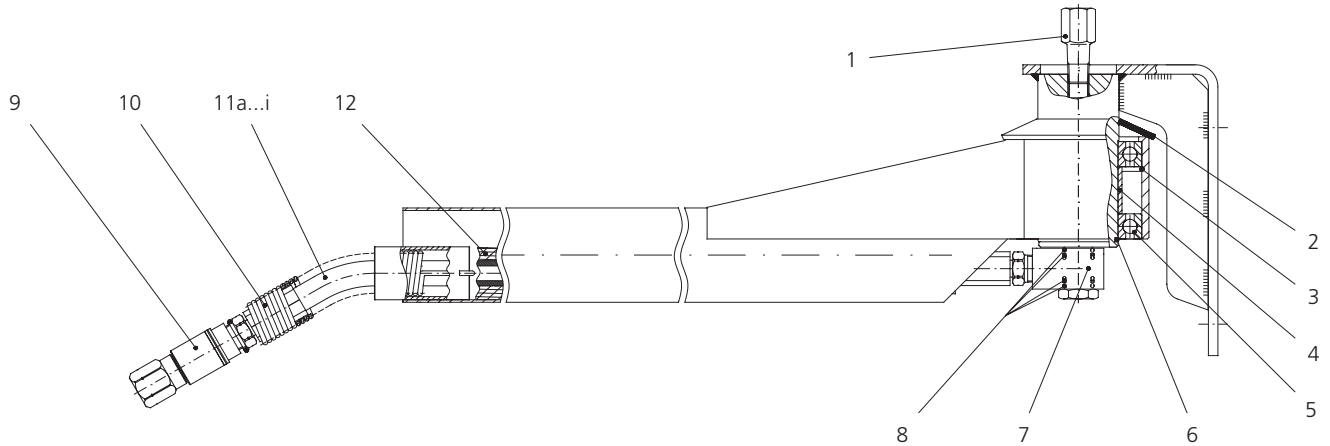
Boom swing range (changes depending on boom size)

**⚠** We recommend checking swivel-connections once a year for normal wear and tear.  
**No greasing required**

Mounting plate (A)  
Thickness: 5/16"  
bearable hole load: min. 30'000N (e.g.: bolt M12)  
• other versions and sizes upon request

Subject to change without notice

**Spare parts List**



Pos.	Part No.	Description
1	51.129	Adapter (G1/4"KM) - 3/8"NPT-F
2	37940	Rubber Cone
3	38155	Retaining Ring for Bore
4	37569	Spacer
5	12295	Ball Bearings
6	37840	Retaining Ring for Shaft
7	40.019	Swivel - 90°
8	40.502	Seal-Kit for Swivel - 90° (*)
9	30.654	Swivel (3/8" NPT-F) - 3/8"NPT-F
10	901.858	Spring for Boom
11a	901.860	HP-Hose for Arm L = 4' 9"
11b	901.862	HP-Hose for Arm L = 5' 3"
11c	901.864	HP-Hose for Arm L = 5' 9"
11d	901.865	HP-Hose for Arm L = 6' 3"
11e	901.866	HP-Hose for Arm L = 6' 9"
11f	901.867	HP-Hose for Arm L = 7' 5"
11g	901.868	HP-Hose for Arm L = 8' 2"
11h	901.869	HP-Hose for Arm L = 9'
11i	901.870	HP-Hose for Arm L = 9' 10"
12	900.275	Insulation Hose, black

\* Exchange with Seal-Service-Set V-1346  
(please ordered separately)

Subject to change without notice