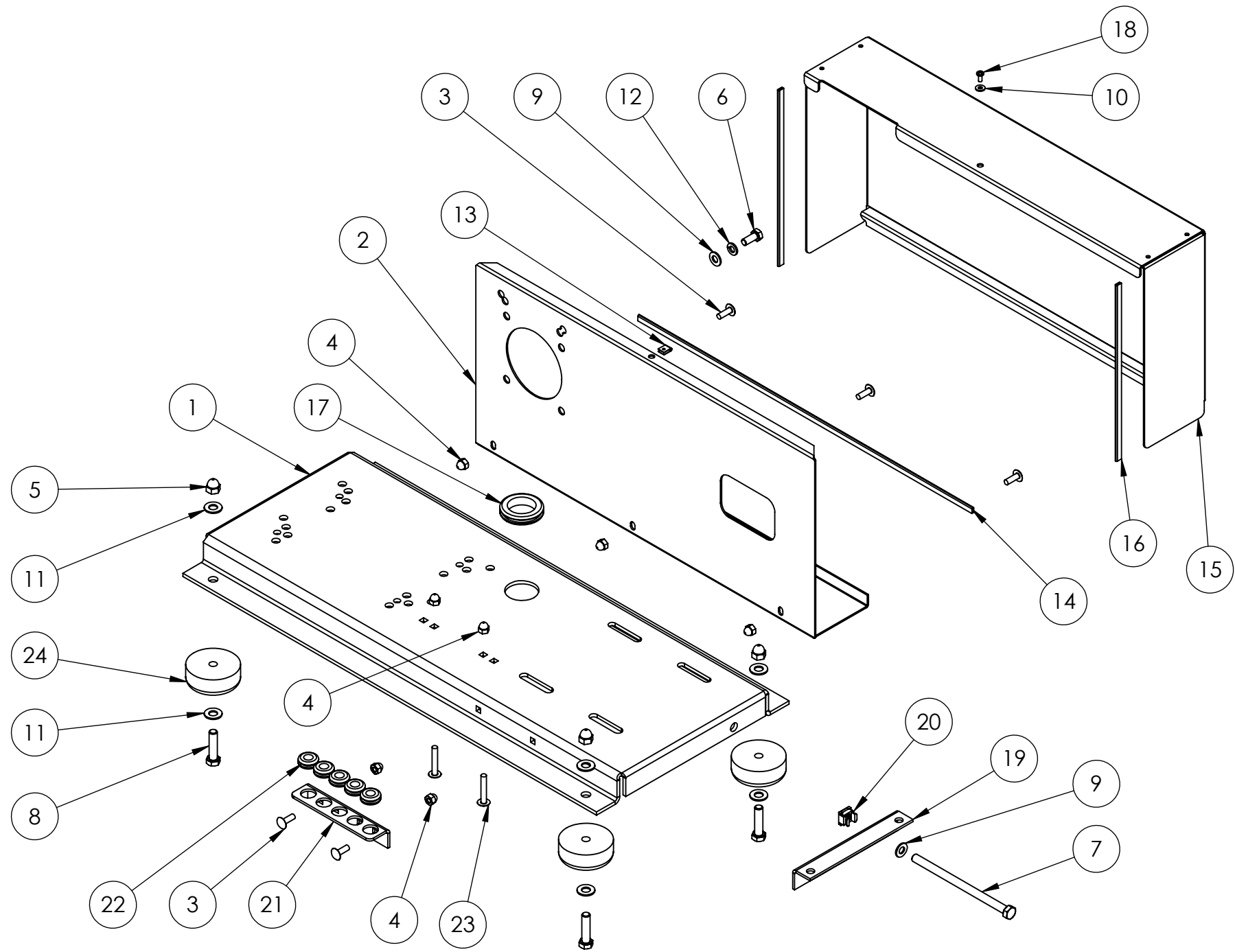


ITEM NO.	PART NUMBER	DESCRIPTION	QTY.
1	7102-F	BASE, FLANGED, SUPER SKID 12V, W / COATING	1
2	5157	BELTGUARD BACK,MAGNUM 12V SKID	1
3	104 042 000 750	CARRIAGE BOLT, 1/4-20 X 3/4	5
4	130 042 000 000	NYLOCK NUT, USS 1/4-20	7
5	130 061 600 000	NYLOCK NUT, USS, 3/8-16	4
6	105 052 400 750	Cap Screw, SAE, G5, Plated, 5/16-24x3/4	1
7	155 061 606 000	BOLT, TAP, GR5, HEX, 3/8-16 X 6	1
8	105 061 601 500	HHCS, USS, GR5, 3/8-16 X 1-1/2"	4
9	111 031 200 100	FLAT WASHER, USS, 5/16	2
10	1314D	WASHER, #10, NYLON	1
11	111 037 500 100	FLAT WASHER, USS, 3/8	8
12	131 031 200 100	LOCK WASHER, 5/16	1
13	1807D	TINNERMAN NUT, #10, UAB	1
14	EGB 5-16_21.5	TRIM-LOC, 16.8"	1
15	5158	BELT GUARD, 12V MAGNUM SKID	1
16	EGB 5-16	TRIM-LOC, 9.8"	2
17	99-424	RUBBER GROMMET, 3/16 MATERIAL	1
18	1317D	MACH SCREW, PHILLIPS HEAD, #10 X 3/8	1
19	5154	BRACKET, PUMP TENSIONER, 115V MAGNUM	1
20	11544419	CAPTIVE NUT, 3/8-16	1
21	1230-PPRO	NOZZLE HOLDER, UNIVERSAL	1
22	2860	GROMMET, BLACK FOR 1/8 METAL	5
23	104 042 001 500	CARRIAGE BOLT, 1/4-20 X 1 1/2"	2
24	613-PPRO	2-1/2" RUBBER FOOT	4



UNLESS OTHERWISE SPECIFIED:

DIMENSIONS ARE IN INCHES
 TOLERANCES: ± 0.010
 FRACTIONAL ± 1/16
 ANGULAR: MACH ± BEND ± 1°
 TWO PLACE DECIMAL ± 0.010
 THREE PLACE DECIMAL ± 0.005

INTERPRET GEOMETRIC TOLERANCING PER:

MATERIAL

FINISH

DO NOT SCALE DRAWING

NAME DATE

DRAWN

CHECKED

ENG APPR.

MFG APPR.

Q.A.

COMMENTS:

DEBURR ALL SHARP EDGES

TITLE:

SKID ASSY, 10 X 27, COATED,
 16 TO 24 HP, BELT DRIVE

SIZE

DWG. NO.

REV

B KCA065-V2

1/9/2020

SHEET 1 OF 1

PROPRIETARY AND CONFIDENTIAL
 THE INFORMATION CONTAINED IN THIS DRAWING IS THE SOLE PROPERTY OF <INSERT COMPANY NAME HERE>. ANY REPRODUCTION IN PART OR AS A WHOLE WITHOUT THE WRITTEN PERMISSION OF <INSERT COMPANY NAME HERE> IS PROHIBITED.