



MOSMATIC

High Pressure Cleaning Technology

swivels
air systems
wands
car wash



swiss quality

MOSMATIC Corporation
8313-196th Ave., P.O. Box 400
BRISTOL, WI 53104-0400 USA
Phone 1-800-788-9880
Fax 262-857-2421
Email swivels@mosmatic.com
Internet www.mosmatic.com

AA27

Our activities:



MOSMATIC offers parts, assemblies and complete solutions to our customers in the High Pressure Cleaning Industry.

MOSMATIC engineers and representatives, work with customers to complete ideas into final solutions.

Our high-tech machine park allows us to manufacture high precision parts, which are used in various industries.

Company objectives:

We are an educated sales force that believes in quality products and can provide outstanding customer service. We strive to be a trustworthy partner to our customers.

The implementation of the Quality Management System will strengthen our well known, high quality standard. Our health and safety policy is equally as important as our quality policy. Our state of the art equipment guarantees safety and quality.

Highly motivated employees are the key to success. Through internal and external training and information sessions, we train our employees to become competent team players. Through excellent service to our customers we would like to improve our market position. We are constantly striving for excellence.



Our experience and involvement in the Car Wash- and Pressure Cleaning Industries since 1978 represents the foundation of our products and future developments.

MOSMATIC Corporation was founded in 1988 as an independent sales office with the objective of providing efficient and customer oriented service and support.

To insure quality and completeness all MOSMATIC products are controlled and inspected prior to shipping.

This catalog will guide you through a detailed selection of MOSMATIC products.

Feel free to contact us regarding any questions you have with our large selection of car wash components and accessories. A MOSMATIC Representative will gladly assist you in choosing the carwash components to best fit your application needs.

Thank you for YOUR interest in MOSMATIC products.

Your MOSMATIC-Team

Index:

Self Service Car Wash Solutions	1
Ceiling Boom DKZ	2
Dual Ceiling Boom DDP	3
Ceiling Boom DKP & Wall Boom WAE	4
Wall Boom Extension WSA / WSA-2R	5
Ceiling Boom DP2	6
Complete Bay Packages	7
Accessories for Ceiling Booms & Wall Booms	8
Airsystem-Boom LU	10-11

Wands / Foam Brushes	12
Wands LAN	13-14
Foam Brushes B-LAN	15-16
Wand with filter	17

Accessories	
for Wands & Brushes	18-20
Nozzles	20

Swivels for Car Wash Applications	21
Gun Swivel DGV	22
Ceiling Boom Swivel DGS	23
90° Ceiling Boom Swivel WDG	24

Swivels for Automatic Car Wash Applications	25
Swivel DGE	26
Hi Flo Inline Swivel DGR	27
90° Swivel WDB-WDC	28
Hi Flo 90° Swivel WDRS	29
High RPM Swivels DY-Series	30
Turbo Rotor Arms TKA series	31
Tire Cleaner Applicator TYW	32

Surface Cleaner	33
------------------------	----

References & Information	34
-------------------------------------	----

Terms and Conditions of Sale	35
-------------------------------------	----

Self Service Car Wash Solutions

Why purchase a MOSMATIC ceiling boom?

- Quality components guarantee low maintenance
 - Self lubricated ball bearings
 - High quality swivels
 - Insulated high pressure hose
 - Completely polished stainless steel
- Available in multiple styles and sizes
- Upgradeable for high pressure and high temperature
- Knowledgeable and friendly service and support

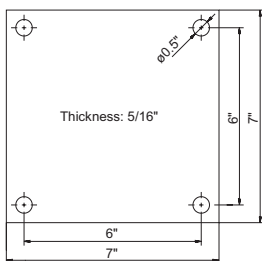
What is included with a MOSMATIC ceiling boom?

- Swiveling adapter with side and top water inlet for easy installation
- Hose guard with integrated tension relief feature
- Two MOSMATIC high pressure swivels
- Insulated high pressure hose
- Detailed installation instructions

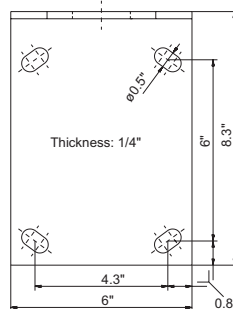
What are the technical specifications?

- Pressure up to maximum 4000psi
- Temperature up to maximum 200°F
- Throughput medium with pH rating 3-12
- Inlet 3/8"NPT F, Outlet 3/8"NPT F

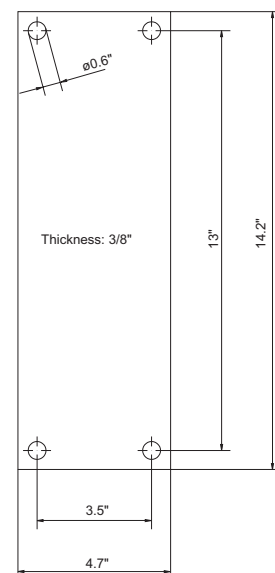
Ceiling Mounting Plate



Wall Mounting Plate (WAE/LU)



Wall Extension Mounting Plate (WSA)



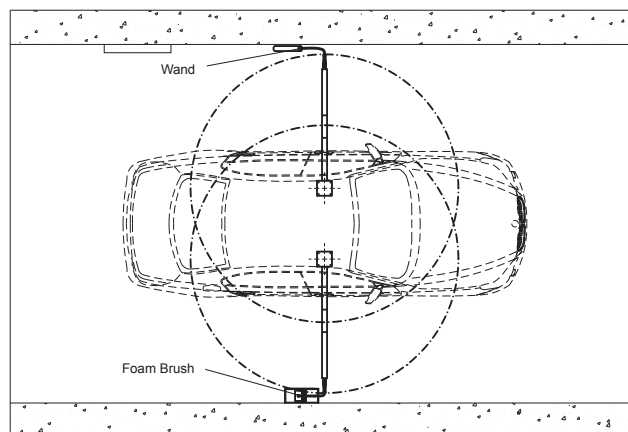
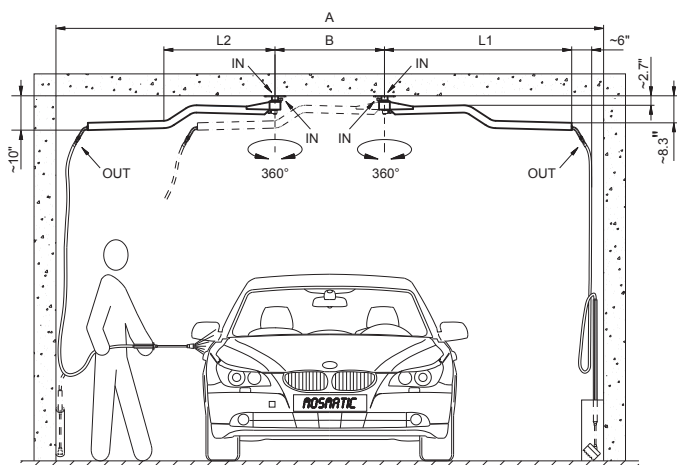
- Bearable load for each bore at least 30'000 N (for example 1/2" bolt)

Ceiling Boom DKZ



This self service car wash solution includes two patented Z-Series ceiling booms that allow continuous 360° rotation for the high pressure wand and the foam brush. The high pressure wand is mounted on one side and the foam brush on the opposite wall of the wash bay. The installation of an optional positioning device guarantees a designated parking position for the ceiling boom.

Application of two Z-Series ceiling booms



Part No.	Bay size (A)	Minimal axle distance (B)	Boom size (L1)	Clearance (L2)	Weight
65.009	14'	34"	4'9"	35"	22 lbs
65.019	15'	36"	5'1"	37"	23 lbs
65.029	16'	38"	5'5"	39"	24 lbs
65.039	17'	40"	5'9"	41"	26 lbs

• Part No. includes one ceiling boom

Part No. **65.911**

Accessories

see page 8



Positioning Device
Weight: 2 lbs
Height: adjustable

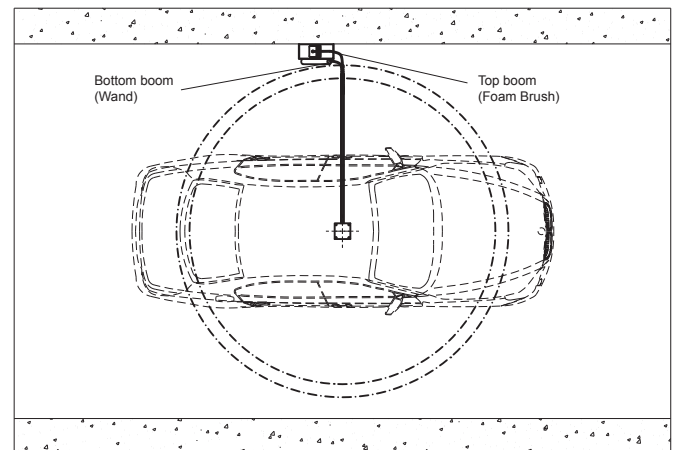
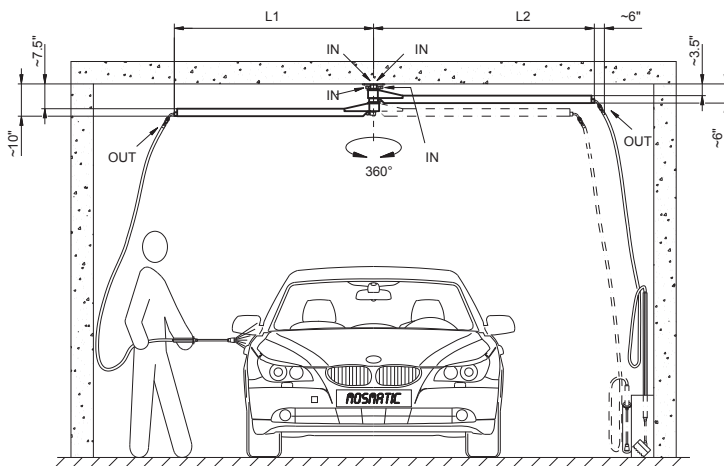
Information: For technical data on ceiling booms and mounting plates see page 1

Dual Ceiling Boom DDP



Self service car wash solution featuring a dual ceiling boom. Easy installation with a single mounting plate positioned in the center of the wash bay. The high pressure wand features continuous and the foam brush limited 360° rotation for the car wash user. The high pressure wand and the foam brush are mounted on the same side of the wash bay.

Application of a dual ceiling boom DDP



Part No.	Boom size (L1 / L2)	Weight
67.409	4'9" / 5'3"	40 lbs
67.419	5'3" / 5'9"	41 lbs
67.429	5'9" / 6'3"	42 lbs
67.439	6'3" / 6'9"	43 lbs
67.449	6'9" / 7'5"	44 lbs
67.459	7'5" / 8'2"	45 lbs

Accessories

see page 8

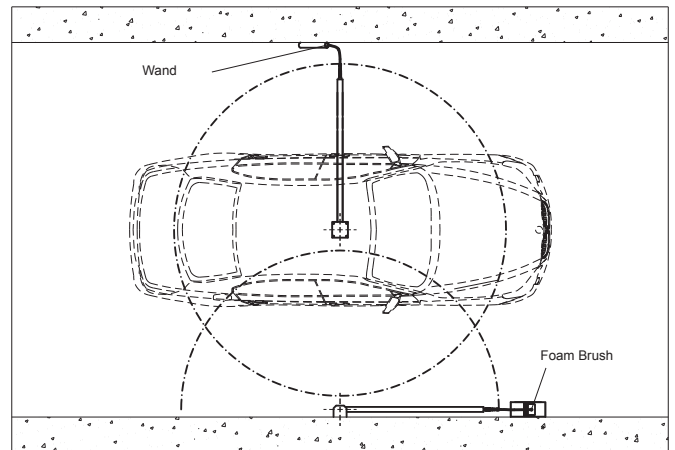
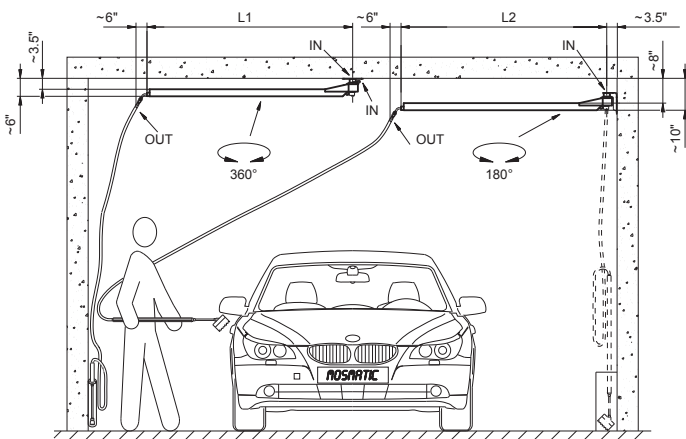
Information: For technical data on ceiling booms and mounting plates see page 1

Ceiling Boom DKP and Wall Boom WAE



Self service car wash solution featuring a ceiling boom, wall boom combination. The high pressure wand/ceiling boom features a 360° continuous and the foam brush/wall boom a 180° rotation for the car wash user. The high pressure ceiling boom is centered in the bay and the foam brush on the wall of the wash bay. The wall boom WAE has a variable self park feature. Add the optional bracket with rubber stoppers for extra boom arm protection.

Application of a ceiling boom and wall boom combination



Ceiling Boom DKP

Part No.	Boom size (L1)	Weight
66.009	4'9"	21 lbs
66.019	5'3"	22 lbs
66.029	5'9"	22.5 lbs
66.039	6'3"	23 lbs
66.049	6'9"	24 lbs
66.059	7'5"	24.5 lbs
66.069	8'2"	25 lbs
66.079	9'	26 lbs
66.089	9'10"	27 lbs

Wall Boom WAE

Part No.	Boom size (L2)	Weight
68.509	4'9"	23 lbs
68.519	5'3"	24 lbs
68.529	5'9"	26 lbs
68.539	6'3"	27 lbs
68.549	6'9"	29 lbs
68.559	7'5"	31 lbs
68.569	8'2"	33 lbs
68.579	9'	35 lbs
68.589	9'10"	38 lbs

Accessories

see page 8

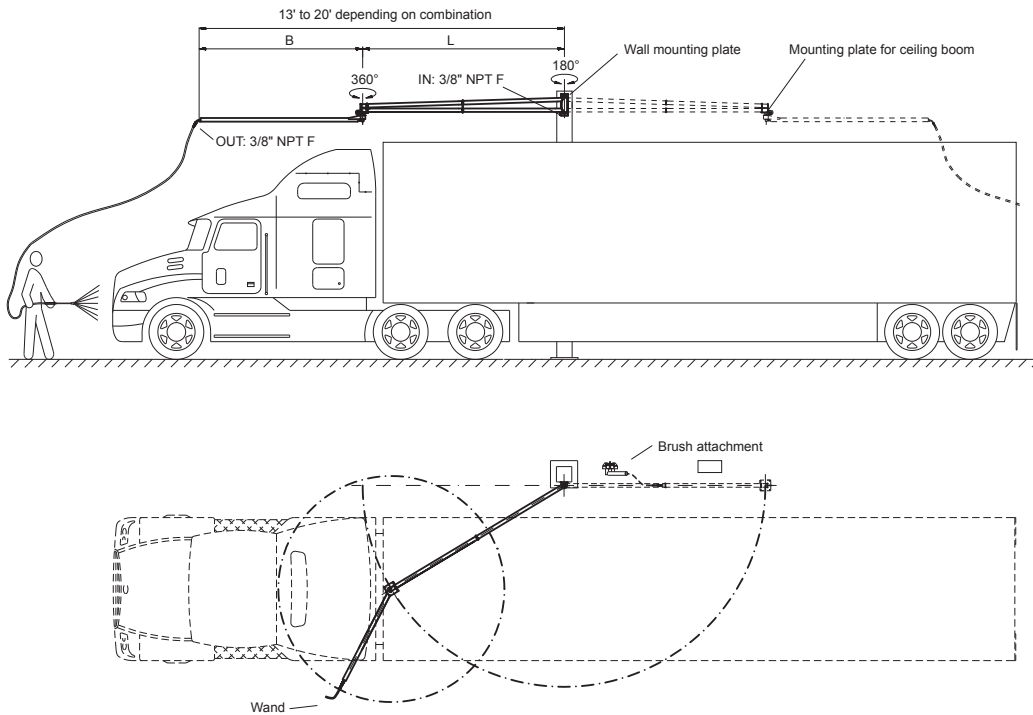
Information: For technical data on ceiling booms and mounting plates see page 1

Wall Boom Extension WSA / WSA-2R



Bus and truck wash solution featuring a wall boom extension, ceiling boom combination.
 The biggest advantage to the wash operator is the total extended reach of up to 40'. This is an ideal combination for any kind of commercial vehicle wash and is manufactured from high quality stainless steel tubing. Also available as a dual medium version.

Application of a wall boom extension and ceiling boom combination



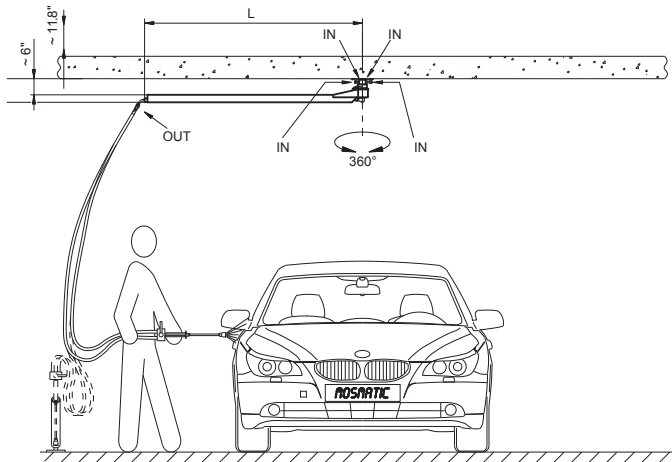
	Wall Boom Extension WSA			Wall Boom Extension WSA-2R		
	1 inner pipe = one connection			2 inner pipe = two connection		
	Part No.	Boom size (L)	Weight	Part No.	Boom size (L)	Weight
Ceiling Boom DKP see page 4	60.522	6' 8"	53 lbs	60.910	6' 8"	55 lbs
	60.532	8' 2"	58 lbs	60.911	8' 2"	60 lbs
Ceiling Boom DP2 see page 6	60.542	9' 10"	64 lbs	60.912	9' 10"	66 lbs
Accessories see page 8						

Information: For technical data on ceiling booms and mounting plates see page 1

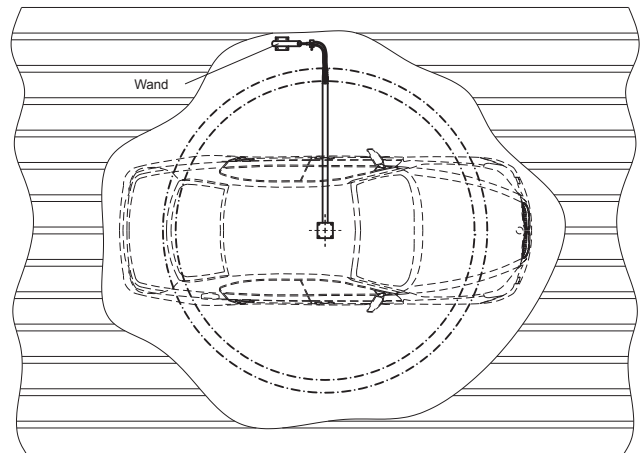
Ceiling Boom with two hoses DP2



This prep area solution includes a DP2 Series ceiling boom with two integrated high pressure hoses. This system is the perfect tool for any full service or tunnel carwash. The system allows the operator to switch between different application mediums. Feed high pressure water, bug remover or tire dressing all on one center mounted ceiling boom, for the quick and easy preparation of any vehicle.



Application of a ceiling boom DP2



Part No.	Boom size (L)	Weight
66.451	4' 9"	24 lbs
66.452	5' 3"	25 lbs
66.453	5' 9"	25.5 lbs
66.454	6' 3"	26 lbs
66.455	6' 9"	27 lbs
66.456	7' 5"	27.5 lbs
66.457	8' 2"	28 lbs
66.458	9'	29 lbs
66.459	9' 10"	30 lbs

Three Way Valve for DP2 Part No. **90.065**
switch between 2 mediums, perfect for prep areas



Information: For technical data on ceiling booms and mounting plates see page 1

Accessories
see page 8

Complete Bay Packages

Single Boom Bay Package Part No. 19.601

Ceiling Boom

1x 5'1" Z-Series Boom polished

Wand

1x 20" straight/solid wand including
 1x nozzle guard
 1x 2507 MEG nozzle
 1x HP weep gun

Accessories

1x 15' HP hose including break away fitting
 1x stainless steel wand holder, wall mount
 2x stainless steel mat holders



Dual Boom Bay Package Part No. 19.602

Ceiling Booms

2x 5'1" Z-Series Booms polished

Wand and Foam Brush

1x 20" straight/solid wand including
 1x nozzle guard
 1x 2507 MEG nozzle
 1x HP weep gun
 1x 41" straight solid foam brush

Accessories

2x 15' HP hose including break away fittings
 1x stainless steel wand holder, wall mount
 1x stainless steel foam brush holder, wall mount
 2x stainless steel mat holders

Triple Boom Bay Package Part No. 19.603

Ceiling Booms

3x 5'1" Z-Series Booms polished

Wand/Foam Brush/Foam Gun

1x 20" straight/solid wand including
 1x nozzle guard
 1x 2507 MEG nozzle
 1x HP weep gun
 1x 41" straight solid foam brush
 1x Foam Gun including
 1x nozzle guard
 1x 5040 foam nozzle

Accessories

3x 15' HP hose including break away fittings
 1x stainless steel wand holder, wall mount
 1x stainless steel foam brush holder, wall mount
 1x stainless steel foam gun holder, wall mount
 2x stainless steel mat holders



Accessories for Ceiling Booms & Wall Booms

Part No. **65.903**

Mounting bracket for DKZ
Install two ceiling booms
on one center beam.
stainless steel
(47" x 9" x 2")



Part No. **19.026**

High Pressure Hose
15', NW 1/4"
2 x 3/8" NPT M, blue
call for additional sizes



Part No. **68.952**

Bracket with Bumpers
for wall mount booms.
stainless steel
(length 16")



Part No. **19.019**

8" Extension package
for MOSMATIC ceiling
booms P-series



Part No. **19.020**

16" Extension package
for MOSMATIC ceiling
booms P-series

Part No. **902.293**

**Drop down Extension
for Dual Ceiling Boom**
(height 30")



Part No. **65.911**

Positioning Device
Weight: 2 lbs
Height: adjustable



Application Pictures

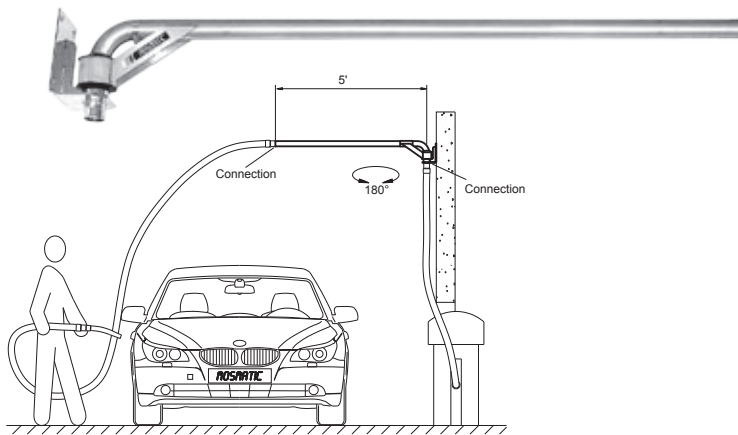


Airsystem-Boom LU

MOSMATIC proudly introduces the NEW Airsystem-Boom for the Carwash Market. Designed for use with either vacuum or air drying systems, enhances appearance and gives you an easy operation. Eliminates the hose being dragged or left lying on the ground. The Air Boom is available in three versions: floor mounted, wall mounted or ceiling mounted.

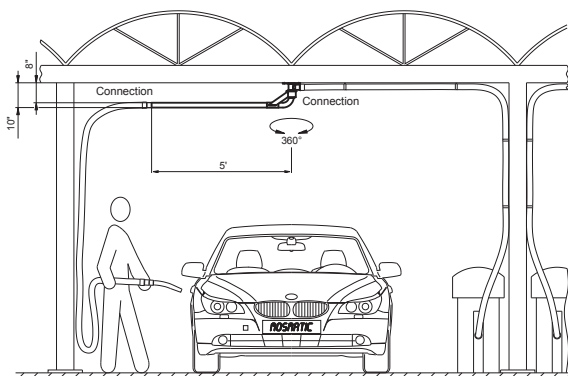
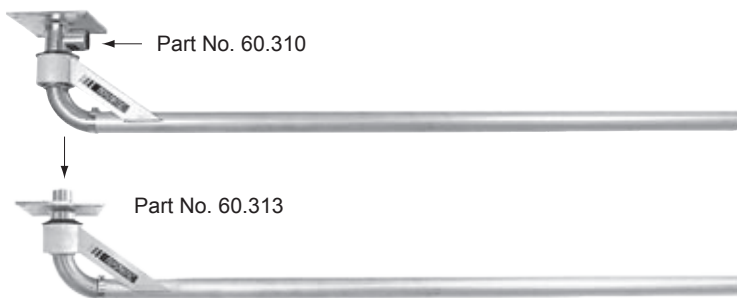
Airsystem-Wall Mount LU-W

Part No.	Connections	Weight
60.311	∅ 2"	18 lbs



Airsystem-Ceiling Mount LU-D

Part No.	Connection	Weight
60.310	∅ 2"	18 lbs
60.313	∅ 2"	18 lbs



Application Pictures



Airsystem-Boom LU

Part No. **60.314**

Pipe 90°

1x Pipe Clamp included



Part No. **60.315**

3' Extension

1x Pipe Clamp included



Part No. **60.320**

Pulley

2x Pipe Clamps included



Part No. **60.323**

Swivel Coupling (Inox)

1x Pipe Clamps included



Part No. **60.319**

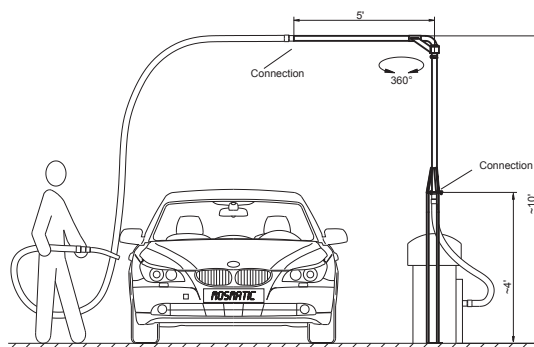
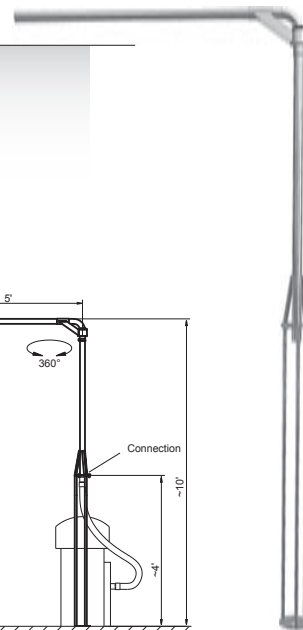
Bracket with Bumpers



Part No. **60.312**

LU-B Floor Mount

Weight 40 lbs



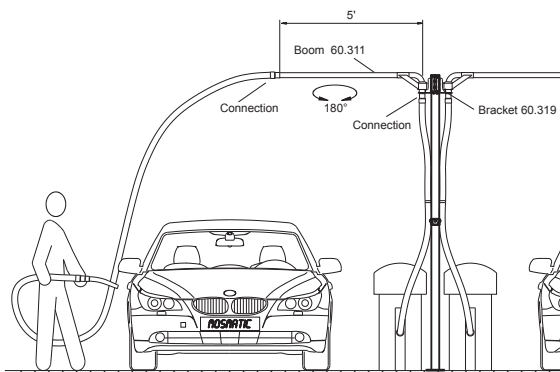
Part No. **60.318**

Airsystem-Post LU-Z

Height 9' 10"

Weight 53 lbs

Use with one or two wall mount booms LU-W



High Pressure Wands and Foam Brushes for Wash Applications

Why purchase a MOSMATIC wand / foam brush?

- Complete stainless steel construction
- High quality components
- Multiple choices for nozzle attachments
- Large variety

How does a MOSMATIC wand / foam brush leave the factory?

- Quality controlled
- Ready to use

What are the technical specifications?

- Pressure up to maximum 4000 psi
- Temperature up to maximum 250° F
- Throughput medium with pH rating 3-12



Wands LAN



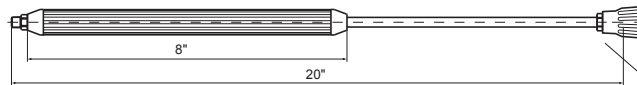
MOSMATIC Wands are used in wash bay and in industrial applications. We offer a large variety of styles with sizes and outlets to fit any application. As a special feature we also offer integrated swivels on all our wand series. Nozzle guards are included with all wands.

Car Wash - Wands

Part No. **26.980**

straight

1/4" NPT M

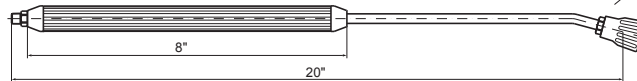


G3/8" M

1/8" NPT F

Part No. **26.981**

bent

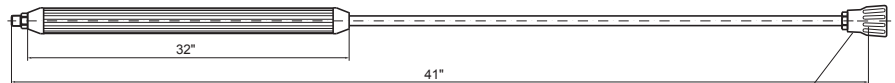


Truck Wash - Wands

Part No. **26.982**

straight

1/4" NPT M

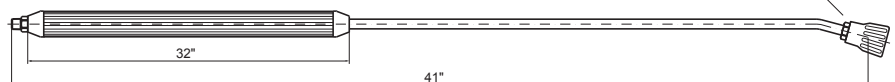


G3/8" M

1/8" NPT F

Part No. **26.983**

bent



Information:

- Other versions or sizes upon request
- For technical data see page 12
- For accessories see page 18-20
- For nozzels see page 20

NEW:





Ceramic Nozzle 29.076

- Increased longevity
- Better cleaning effect
- For more information see page 20

Wands

4000 psi, 250°F, NW 1/4"

①

Inlet	Part No.
 M21 x 1.5 F	21. ___
 M22 x 1.5 F	22. ___
 conical 3/8" NPT M	25. ___
 1/4" NPT M	26. ___

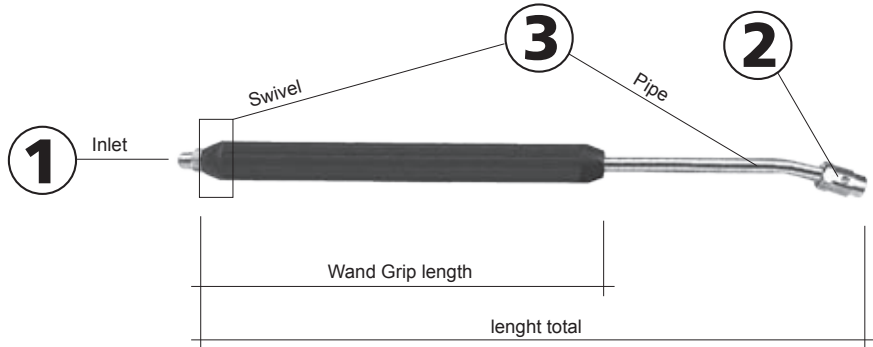
Example:











Inlet: **1/4"NPT (solid)**
 Outlet: **bent nozzle socket 1/8"NPT F (snap-lock)**
 Total Length ~: **26"**
 Wand grip Length: **16"**

① ② ③

⇒ Part No.: **26 . 1 24 = 26.124**



②

Outlet	Part No.	Accessories
 nozzle socket 1/8"NPT F for locking-screw	___0___	29.001 29.002 29.003
 nozzle socket 1/8"NPT F for snap-lock	___1___	29.002 29.003 29.006
 nozzle socket 1/4"NPT F for locking-screw	___2___	29.001 29.003
 nozzle socket 1/4"NPT F for snap-lock	___3___	29.003 29.006
 G 1/4" KM	___4___	29.007
 foam-injector Ø 0.1" G 1/4" KM	___5___	29.007
 nozzle socket G 3/8" M 1/8"NPT F	___6___	29.010
 nozzle socket Ø 0.63" 1/4"NPT F	___7___	29.010

③

length total ~	wand grip length	Pipe straight		Pipe bent	
		Swivel		Swivel	
		without	with	without	with
10"	8"	___01	___41		
14"	8"	___02	___42	___22	___62
20"	8"	___03	___43	___23	___63
26"	16"	___04	___44	___24	___64
30"	16"	___05	___45	___25	___65
34"	16"	___06	___46	___26	___66
34"	32"	___07	___47		
38"	16"	___08	___48	___28	___68
38"	32"	___09	___49	___29	___69
41"	16"	___10	___50	___30	___70
41"	32"	___11	___51	___31	___71
50"	40"	___12	___52	___32	___72
60"	51"	___13	___53	___33	___73
70"	51"	___14	___54	___34	___74
80"	72"	___15	___55	___35	___75

Please contact for further advice

Accessories (see page 18-20)



29.001
brush compl.
locking screw



29.006
brush compl.
snap-lock



29.007
brush compl.
G 1/4" F



29.010
nozzle guard
plug on
Ø 0.63" & G3/8"



29.002
nozzle guard
for 1/8"NPT
SW 0.512"



29.003
nozzle guard
for 1/8" & 1/4"NPT



29.004
handle
adjustable

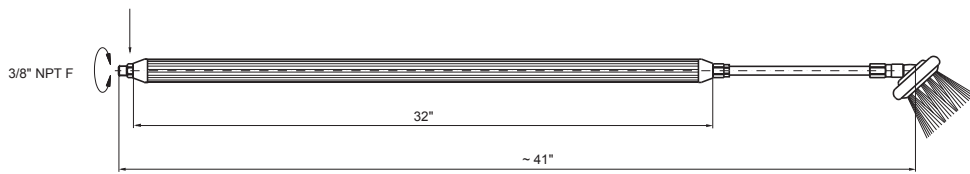
Foam Brushes B-LAN



MOSMATIC Foam Brushes are used in wash bay and in industrial applications. The brush head is made of stainless steel, non marking rubber trim and comes standard with high quality hogs hair bristles. All foam brushes are available with integrated swivel option. Wands are made in one solid piece with end caps for higher heat insulating, enhanced durability - also eliminates pinching.

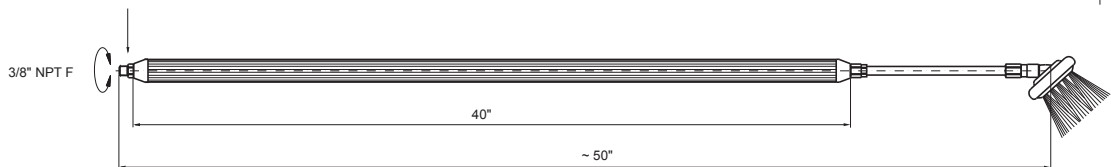
Car Wash - Foam Brushes

Part No. **25.902** without swiveling inlet
25.922 with swiveling inlet



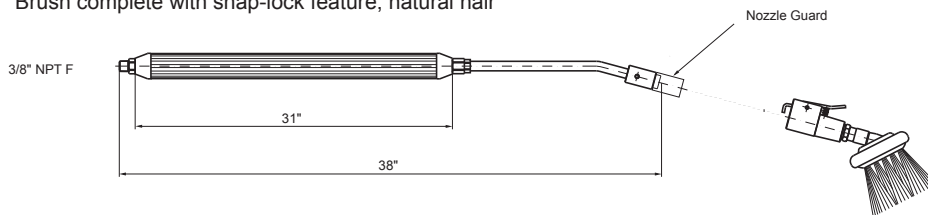
Truck Wash - Foam Brushes

Part No. **25.903** without swiveling inlet
25.923 with swiveling inlet



Wand/Foam Brush Conversion Feature

Part No. **25.988** Wand 38" / 31" - 1/8" NPT F snap-lock
29.006 Brush complete with snap-lock feature, natural hair



- Information:
- Other versions or sizes upon request
 - For technical data see page 12
 - For accessories see page 18-20
 - For nozzels see page 20

Brush Wands

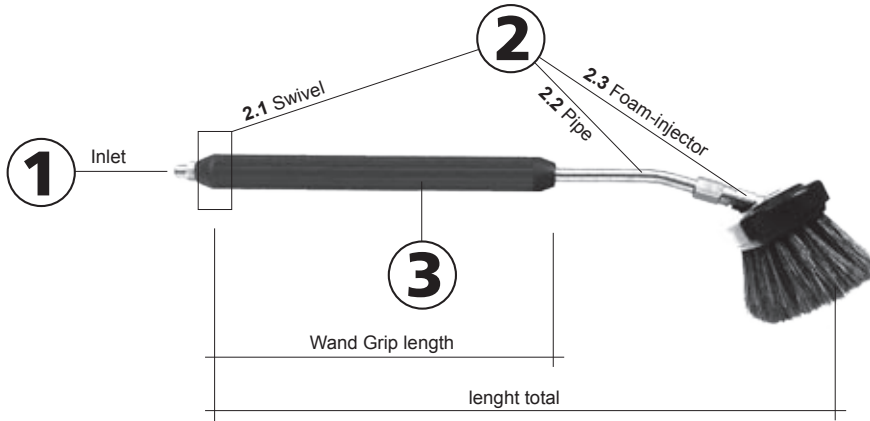
4000 psi, 205°F, NW 1/4"

Example:



Inlet: **1/4" NPT M (swiveling)**
 Outlet: **bent**
with foam-injector
 Total length ~: **50"**
 Wand grip length: **40"**

⇒ Part No: **① ② ③ = 26.973**



①

②

③

Inlet	Part No.	2.1 Swivel	2.2 Pipe	2.3 Foam-injector	Part No.	length total ~	wand grip length	Part No.
	21. _ _ _	without	straight	without	__90_	36"	24"	__ _ _ 1 (bent)
M21 x 1.5 F		without	bent	without	__91_	36"	32"	__ _ _ 1 (straight)
	22. _ _ _	without	straight	with	__94_	41"	32"	__ _ _ 2
M22 x 1.5 F		without	bent	with	__95_	50"	40"	__ _ _ 3
	25. _ _ _	with	straight	without	__92_	60"	51"	__ _ _ 4
conical		with	bent	without	__93_	70"	51"	__ _ _ 5
3/8" NPT M		with	straight	with	__96_	80"	72"	__ _ _ 6
	26. _ _ _	with	bent	with	__97_	100"	72"	__ _ _ 7
1/4" NPT M								

Please contact us for further advice

Accessories (see page 18-20)



29.007
brush compl.
G 1/4" F



29.011
replacement
brush
natural hair



29.004
handle
adjustable



29.070
grip
see page 19

MOSMATIC brush wands

- natural bristles for gentle washing
- all stainless materials ensure longevity
- easy use due to light weight

Wand with filter sieve in grip

MOSMATIC Filter sieve wands with uniquely designed handgrip features and integrated high pressure filter sieve which will prevent clogged nozzles. This light weight wand guarantees effortless wash action and longevity through stainless steel construction. Nozzle guard included with all wands.

Inlet
1/4"NPT M 60°

Outlet
G 3/8" M
+ 1/8"NPT F



Part No.	wand grip length ~	total length ~
28.201	6.3"	10"
28.202	6.3"	14"
28.203	6.3"	20"
28.204	6.3"	26"
28.205	6.3"	30"
28.206	6.3"	34"
28.207	6.3"	38"
28.208	6.3"	41"

Inlet
3/8"NPT M 60°

Outlet
G 3/8" M
+ 1/8"NPT F



Part No.	wand grip length ~	total length ~
28.251	6.3"	10"
28.252	6.3"	14"
28.253	6.3"	20"
28.254	6.3"	26"
28.255	6.3"	30"
28.256	6.3"	34"
28.257	6.3"	38"
28.258	6.3"	41"

Inlet
1/4"NPT M 60°

Outlet
1/4"NPT F



Part No.	wand grip length ~	total length ~
28.301	6.3"	10"
28.302	6.3"	14"
28.303	6.3"	20"
28.304	6.3"	26"
28.305	6.3"	30"
28.306	6.3"	34"
28.307	6.3"	38"
28.308	6.3"	41"

Inlet
3/8"NPT M 60°

Outlet
1/4"NPT F



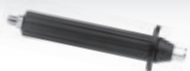
Part No.	wand grip length ~	total length ~
28.351	6.3"	10"
28.352	6.3"	14"
28.353	6.3"	20"
28.354	6.3"	26"
28.355	6.3"	30"
28.356	6.3"	34"
28.357	6.3"	38"
28.358	6.3"	41"



Other versions or sizes upon request

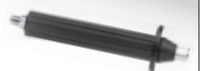
Part No. **29.801**

handle
Inlet: 1/4" M
Outlet: M12 x 1-F



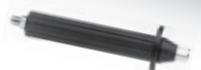
Part No. **29.802**

handle
Inlet: 3/8" M
Outlet: M12 x 1-F



Part No. **29.803**

handle
Inlet: 1/4" M
Outlet: 1/4" F



INFO: • For technical data see page 12
• Nozzles see page 20

Accessories for Wands

Part No. **29.097**

Wand holder spring model
floor mounted with recovery port



Part No. **29.083**

Wand holder
wall mounted



Part No. **29.099**

Wand holder bracket
wall mounted
4x Bolts and Nuts included



Part No. **29.063**

High pressure gun
Premium quality
3/8"NPT F - 1/4"NPT F



Part No. **29.082**

High pressure weep-gun
Premium quality
3/8"NPT F - 1/4"NPT F



Part No. **29.004**

Adjustable Handle
for Wand Grip



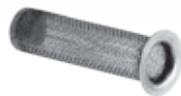
Part No. **29.070**

Hand grip attachment
for all foam brushes
1/4"NPT M - 1/4"NPT F



Part No. **29.023**

Filter sieve for
all LAS wands



Part No. **29.010**

Nozzle guard, black



Part No. **29.006**

Brush head complete
snap-lock feature
hogs hair



Part No. **29.007**

Brush head complete
Inlet G1/4"F
hogs hair



Part No. **29.011**

Brush head replacement
hogs hair



Accessories for Foam Brushes

Part No. **29.012**

Brush body
stainless steel



Part No. **29.013**

Brush guard
plastic / black



Part No. **29.015**

Snap-lock feature
aluminum /
stainless steel



Part No. **29.026**

Brush bucket
wall mounted
stainless steel polished
2" drain plug



Part No. **29.027**

Brush bucket
wall mounted with overflow
stainless steel polished
2" drain plug



Part No. **29.030**

Brush holder for all
styles of foam brushes
wall mounted
stainless steel, polished



Part No. **90.001**

Mat holder
stainless
blue



Part No. **29.020**

Foam injector
air intake diameter 0.1"
G1/4" F - G1/4" kM
Pressure:
90 psi - 2.4gpm
1450 psi - 9 gpm



Part No. **29.060**

Foam injector
air intake diameter 0.06"
G1/4" F - G1/4" kM
Pressure:
90 psi - 0.8 gpm
1450 psi - 3.5 gpm



Part No. **90.015**

Splash Guard - single
with magnet and stainless
mounting brackets



Part No. **90.016**

Splash Guard - dual
with magnet and stainless
mounting brackets



Weep System

opening pressure: ~ 14.5 psi
closing pressure: ~ 70 - 120 psi
flow rate: ~ 0.25gpm at ~ 58 psi

Part No. **29.031**

ø 0.394"

Part No. **29.032**

ø 0.315"



Additional Accessories

Check Valve with hard spring

Part No.	Input	Output	Length	Ø	opening - pressure	closing - pressure
90.031	¼" NPT F	¼" NPT F	2.5"	1"	~ 14 psi	~ 20 psi
90.034	¾" NPT F	¾" NPT F	3"	1"	~ 14 psi	~ 20 psi



Check Valve with soft spring

90.036	¾" NPT F	¾" NPT F	3"	1"	~ 1.5 psi	~ 2 psi
90.037	¼" NPT F	¼" NPT F	2.5"	1"	~ 1.5 psi	~ 2 psi

Technical Data

Pressure	4000 psi
Temperature	200°F
Nominal width	¼"

Nozzles



To place an order please use spray angle and size for part no.

15 03

03 – Size

15 – Spray angle

MOSMATIC offers a large variety of hardened **stainless steel high pressure nozzles**. All **wash jet nozzles (MEG)** are available in different sizes and spray angles. Standard nozzles are 1/8"NPT M, spray angles 0°, 15°, 25° and sizes 2 to 10.

Applications with one high pressure nozzle

Size	Orifice	Flow rate in GPM at:													
		40	100	250	500	600	700	800	1000	1200	1500	2000	2500	3000	psi
2	.034	.20	.32	.50	.71	.77	.84	.89	1.00	1.10	1.22	1.41	1.58	1.73	
2.5	.039	.25	.40	.63	.88	.97	1.05	1.12	1.25	1.37	1.53	1.77	1.98	2.17	
3	.043	.30	.47	.75	1.06	1.16	1.25	1.34	1.50	1.64	1.84	2.12	2.37	2.60	
3.5	.048	.35	.55	.88	1.24	1.36	1.46	1.57	1.75	1.92	2.14	2.47	2.77	3.03	
4	.052	.40	.63	1.00	1.41	1.55	1.67	1.79	2.00	2.19	2.45	2.83	3.16	3.46	
4.5	.055	.45	.71	1.13	1.59	1.74	1.88	2.01	2.25	2.46	2.76	3.18	3.56	3.90	
5	.057	.50	.79	1.25	1.77	1.94	2.09	2.24	2.50	2.74	3.06	3.54	3.95	4.33	
5.5	.060	.55	.87	1.38	1.94	2.13	2.30	2.46	2.75	3.01	3.37	3.89	4.35	4.76	
6	.062	.60	.95	1.50	2.12	2.32	2.51	2.68	3.00	3.29	3.67	4.24	4.74	5.20	
6.5	.064	.65	1.03	1.63	2.30	2.52	2.72	2.91	3.25	3.56	3.98	4.60	5.14	5.63	
7	.067	.70	1.11	1.75	2.47	2.71	2.93	3.13	3.50	3.83	4.29	4.95	5.53	6.06	
7.5	.070	.75	1.19	1.88	2.65	2.90	3.14	3.35	3.75	4.11	4.59	5.30	5.93	6.50	
8	.072	.80	1.26	2.00	2.83	3.10	3.35	3.58	4.00	4.38	4.90	5.66	6.32	6.93	
8.5	.074	.85	1.34	2.13	3.01	3.29	3.56	3.80	4.25	4.66	5.21	6.01	6.72	7.36	
9	.076	.90	1.42	2.25	3.18	3.49	3.76	4.02	4.50	4.93	5.51	6.36	7.12	7.79	
9.5	.078	.95	1.50	2.38	3.36	3.68	3.97	4.25	4.75	5.20	5.82	6.72	7.51	8.23	
10	.080	1.00	1.58	2.50	3.54	3.87	4.18	4.47	5.00	5.48	6.12	7.07	7.91	8.66	
11	.083	1.10	1.74	2.75	3.89	4.26	4.60	4.92	5.50	6.02	6.74	7.78	8.70	9.53	
12	.087	1.20	1.90	3.00	4.24	4.65	5.02	5.37	6.00	6.57	7.35	8.49	9.49	10.39	
12.5	.089	1.25	1.98	3.13	4.42	4.84	5.23	5.59	6.25	6.85	7.65	8.84	9.88	10.83	
13	.091	1.30	2.06	3.25	4.60	5.03	5.44	5.81	6.50	7.12	7.96	9.19	10.28	11.26	
14	.093	1.40	2.21	3.50	4.95	5.42	5.86	6.26	7.00	7.67	8.57	9.90	11.07	12.12	
15	.096	1.50	2.37	3.75	5.30	5.81	6.27	6.71	7.50	8.22	9.19	10.61	11.86	12.99	
20	.109	2.00	3.16	5.00	7.07	7.75	8.37	8.94	10.00	10.95	12.25	14.14	15.81	17.32	

Nozzle Guide (based on your pressure needs)

Description	Quantity of Nozzles / Pressure in [psi]					
	Pump capacity	Nozzle size	2 Nozzles	3 Nozzles	4 Nozzles	5 Nozzles
4 gpm		2	4000	1800	1000	700
		2.5	2200	1000	600	
		3	1900	750		
		4	1000			
5 gpm		2		2800	1600	1000
		2.5	4000	1600	900	600
		3	2700	1300	600	
		4	1500	650		
6 gpm		2		4000	2250	1600
		2.5		2200	1300	900
		3	4000	1900	1000	650
		4	2400	1000	550	
8 gpm		5	1400	650		
		6	1000	450		
		2			4000	2500
		2.5			2200	1500
10 gpm		3			4000	2200
		4			2750	1800
		5	4000	1700	1500	1000
		6	2750	1300	1000	650
15 gpm		7	2000	900	500	
		8	1500	650		
		9	1200			
		3				4000
20 gpm		4			3750	2200
		5			2200	1400
		6			1500	1000
		7			1150	750
		8	3500	1500	850	550
		9	2800	1200	700	
		10	2250	1000	550	
		4			4000	4000
		5			2750	2500
		6			2000	1700
		7			1500	1300
		8	3600	2000	1000	1000
		9	2800	1500	850	550
		10	2200	1200	800	
		4000	1850	1000	640	



Part No.	Special nozzles for wash bay applications
29.076	Ceramic nozzle, Spray angle 80°, G3/8" F

Technical Data

- Throughput medium, with pH rating 3-12
- Temperature 40°F - 250°F
- Installation according to nozzle manufacturer

Swivels for Car Wash Applications

Why purchase a MOSMATIC swivel?

- Quality product made in Switzerland
- Turns freely even under pressure
- Extended life through
 - Self lubricated and sealed ball bearings
 - Standard stainless steel inner parts

How does a MOSMATIC swivel leave the factory?

- Quality controlled
- Available in single or bulk boxes
- Included installation and application manuals



MOSMATIC swivels are available with different seal systems, materials and styles. Contact us and we will help you design the swivel for your application.

Gun Swivel DGV

Mount the DGV series to any type of high pressure gun for an easy turning, maintenance free gun swivel. An extra long stainless steel shaft guarantees stability and durability against side torque and heavy use.

Application: High pressure gun

Specialty: High quality no maintenance
Turns easy under high pressure

Part No.	Connection thread for gun	Connection thread for hose	Length
32.551	1/4" NPT M	1/4" NPT M	2.5"
32.552	1/4" NPT M	1/4" NPT F	2.7"
32.561	3/8" NPT M	1/4" NPT M	2.5"
32.562	3/8" NPT M	1/4" NPT F	2.7"
32.563	3/8" NPT M	3/8" NPT M	2.5"
32.564	3/8" NPT M	3/8" NPT F	2.7"



Technical Data

Throughput Medium	pH 3-12	RPM	max. 30 rpm
Temperature	250° F	Weight	4.6 oz - 6 oz
Pressure	4000 psi	Nominal width	1/4"

Ceiling Boom Swivel DGS

The DGS swivel is the "standard" in ceiling boom swivels and is successfully used around the world. Compact and light weight this easy to install swivel features a dual bearing system.

Application:	Ceiling booms Hose connections High pressure cleaners	Specialty:	Ideal for all styles of wall boom systems High quality and longevity Maintenance free
--------------	---	------------	---

Part No.	Connection thread for ceiling boom	Connection thread for hose	Length
30.051	1/4" NPT F	1/4" NPT M	2.4"
30.052	1/4" NPT F	1/4" NPT F	2.5"
30.053	1/4" NPT F	3/8" NPT M	2.4"
30.054	1/4" NPT F	3/8" NPT F	2.6"
30.153	3/8" NPT F	3/8" NPT M	2.4"
30.154	3/8" NPT F	3/8" NPT F	2.6"



Technical Data

Throughput Medium	pH 3-12	RPM	max. 30 rpm
Temperature	250° F	Weight	3.9 oz - 4.9 oz
Pressure	4000 psi	Nominal width	1/4"

90° Ceiling Boom Swivel WDG

This 90° swivel is known world wide as the most dependable swivel connection for a ceiling boom system. With a seal system and design that is specially engineered for ceiling boom applications, this swivel series is reliable under high and low pressure.

Application:	Ceiling booms Hose reels	Specialty:	The standard 90° swivel Upgradeable for high pressure and high temperature
--------------	-----------------------------	------------	--

WDG (nominal width 1/4")			
Part No.	Connection thread for ceiling boom	Connection thread for hose	Height (H)
40.021	1/4" NPT M	1/4" NPT F	1.024"
40.022	3/8" NPT M	1/4" NPT F	1.024"
40.031	1/4" NPT M	3/8" NPT F	1.024"
40.032	3/8" NPT M	3/8" NPT F	1.024"
WDG (long stem)			
40.028	1/4" NPT M	1/4" NPT F	1.024"
40.029	3/8" NPT M	1/4" NPT F	1.024"
40.039	3/8" NPT M	3/8" NPT F	1.024"
40.502	Seal Kit for 90° swivel NW 1/4"		



WDG (nominal width 3/8")			
Part No.	Connection thread for ceiling boom	Connection thread for hose	Height (H)
40.231	1/2" NPT M	1/2" NPT F	1.575"
40.503	Seal Kit for 90° swivel NW 3/8"		



WDG (nominal width 1/2")			
Part No.	Connection thread for ceiling boom	Connection thread for hose	Height (H)
40.223	1/2" NPT F	3/8" NPT F	1.575"
40.506	Seal Kit for 90° swivel NW 1/2"		



Technical Data

Throughput Medium	pH 3-12	RPM	max. 30 rpm
Temperature	200° F	Weight	9.2 oz - 15.45 oz
Pressure	2200 psi		

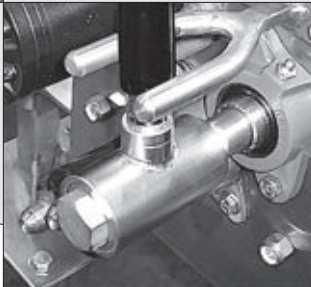
Swivels for Automatic Car Wash Applications

Why purchase a MOSMATIC swivel?

- Quality product made in Switzerland
- Extended life through
 - Self lubricated and sealed ball bearings
 - Made of stainless steel
- Seal & Bearing rebuild kits available

How does a MOSMATIC swivel leave the factory?

- Individually packed including installation and application manuals
- Quality controlled



Swivel DGE

MOSMATIC swivels are the standard in automatic car wash applications around the world. These quality swivels are made of the finest components available on the market. The stainless steel construction guarantees the highest performance results.

Application: Automatic car wash systems
Industry

Specialty: Self lubricated ball bearing
Longevity
Maintenance free

Inline Swivel

Part No.	Inlet	Outlet	Length	NW	Weight
34.852	3/8" NPTF	3/8" NPTM	2.9"	3/8"	1.17 lbs
34.853	1/2" NPTF	1/2" NPTM	3.1"	1/2"	1.21 lbs
34.854	3/4" NPTF	3/4" NPTM	3.5"	3/4"	1.76 lbs
34.855	1" NPTF	1" NPTM	3.6"	1"	2.49 lbs
34.856	1 1/4" NPTF	1 1/4" NPTM	4.2"	1 1/4"	2.95 lbs
34.862	3/8" NPTF	3/8" NPTF	2.9"	3/8"	1.14 lbs
34.863	1/2" NPTF	1/2" NPTF	3.1"	1/2"	1.23 lbs
34.864	3/4" NPTF	3/4" NPTF	3.4"	3/4"	1.78 lbs
34.865	1" NPTF	1" NPTF	3.6"	1"	2.47 lbs
34.866	1 1/4" NPTF	1 1/4" NPTF	3.9"	1 1/4"	2.93 lbs



90° Swivel

Part No.	Inlet	Outlet	Length	NW	Weight
34.872	3/8" NPTF	3/8" NPTM	3.3"	3/8"	1.39 lbs
34.873	1/2" NPTF	1/2" NPTM	3.6"	1/2"	1.39 lbs
34.874	3/4" NPTF	3/4" NPTM	4.1"	3/4"	2.20 lbs
34.875	1" NPTF	1" NPTM	4.5"	1"	3.35 lbs
34.876	1 1/4" NPTF	1 1/4" NPTM	5.2"	1 1/4"	4.95 lbs
34.882	3/8" NPTF	3/8" NPTF	3.3"	3/8"	1.39 lbs
34.883	1/2" NPTF	1/2" NPTF	3.6"	1/2"	1.41 lbs
34.884	3/4" NPTF	3/4" NPTF	4.0"	3/4"	2.23 lbs
34.885	1" NPTF	1" NPTF	4.5"	1"	3.33 lbs
34.886	1 1/4" NPTF	1 1/4" NPTF	4.9"	1 1/4"	4.93 lbs



Technical Data

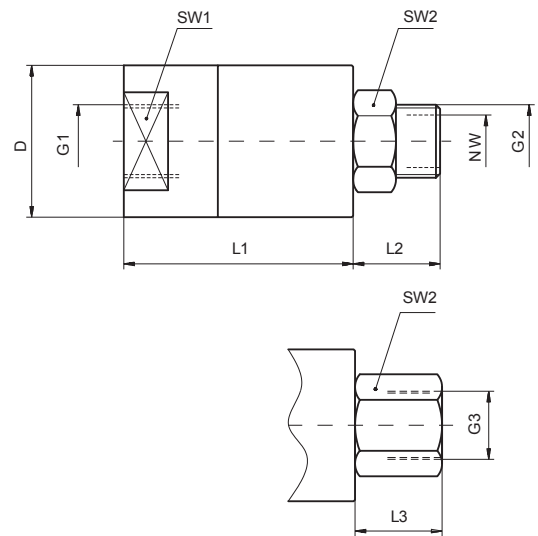
Throughput Medium	pH 3-12	RPM	30 rpm
Pressure	4000 psi	Temperature	250°F

Hi Flo Inline Swivel DGR

Built with a stainless steel body and four self lubricated ball bearings, this swivel is designed to be the toughest and most reliable swivel in the high pressure cleaning market. This swivel is engineered to last in applications with side to side and front to back loads.

Application: Automatic car wash systems
Industry

Specialty: Swivel for tough application
Longevity
Maintenance free



DGR quadruple bearing system, stainless steel		(tension and compression forces are allowed)									
Part No.	Connection thread G1	Connection thread G2	SW1	SW2	NW	L1	L2	D	RPM	Weight	
34.211	1/2" NPT F	1/2" NPT M	1.5"	1"	5/8"	3.4"	1.2"	2"	200	39 oz	
34.311	3/4" NPT F	3/4" NPT M	1.6"	1.3"	3/4"	3.6"	1.3"	2.1"	150	49 oz	
34.411	1" NPT F	1" NPT M	1.8"	1.5"	1"	3.8"	1.5"	2.4"	130	58 oz	
34.511	1 1/2" NPT F	1 1/2" NPT M	2.5"	2.2"	1 1/2"	4.1"	1.7"	3.2"	100	95 oz	
34.611	2" NPT F	2" NPT M	3"	2.5"	2"	4.6"	2"	3.5"	70	132 oz	

Part No.	Connection thread G1	Connection thread G3	SW1	SW2	NW	L1	L3	D	RPM	Weight
34.212	1/2" NPT F	1/2" NPT F	1.5"	1"	5/8"	3.4"	1.5"	2"	200	40 oz
34.312	3/4" NPT F	3/4" NPT F	1.6"	1.3"	3/4"	3.7"	1.6"	2.1"	150	50 oz
34.412	1" NPT F	1" NPT F	1.8"	1.5"	1"	3.8"	1.7"	2.4"	130	60 oz
34.512	1 1/2" NPT F	1 1/2" NPT F	2.5"	2.2"	1 1/2"	4.1"	1.9"	3.2"	100	96 oz
34.612	2" NPT F	2" NPT F	3"	2.5"	2"	4.6"	2.1"	3.5"	70	133 oz

Technical Data

Throughput Medium	pH 3-12
Temperature	40°F - 180°F
Pressure	3000 psi

90° Swivel WDB-WDC

Our New 90° Swivel Series is engineered for High and Low Pressure as well as Higher Speeds.

Application:
Automatic car wash systems
Hose reels
Ceiling booms
Hydraulic machinery

Specialty:
Self lubricated ball bearing
Longevity

WDB							
Part No.	G1	G2	H	NW	RPM	Weight	Seal Kit No.
43.251	1/4" NPTF	1/4" NPTM	1"	1/4"	30	0.53 lbs	43.904
43.252	3/8" NPTF	3/8" NPTM	1"	3/8"	30	0.59 lbs	43.904
43.259	3/8" NPTF	G1/4" M	1"	1/4"	30	0.59 lbs	43.904

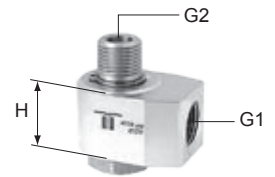
WDC							
Part No.	G1	G2	H	NW	RPM	Weight	Seal Kit No.
43.353	1/2" NPTF	1/2" NPTM	1.3"	1/2"	30	0.8 lbs	43.904
43.354	1/2" NPTF	1/2" NPTF	1.3"	1/2"	30	0.8 lbs	43.904

WDBL	(with bearings)						
Part No.	G1	G2	H	NW	RPM	Weight	Seal Kit No.
43.262	3/8" NPTF	3/8" NPTM	1.8"	3/8"	200	0.94 lbs	43.904

WDCL							
Part No.	G1	G2	H	NW	RPM	Weight	Seal Kit No.
43.363	1/2" NPTF	1/2" NPTM	1.8"	1/2"	200	0.95 lbs	43.904
43.364	1/2" NPTF	1/2" NPTF	1.8"	1/2"	200	0.96 lbs	43.904

WDBS	(with bearings and protection plate)						
Part No.	G1	G2	H	NW	RPM	Weight	Seal Kit No.
43.272	3/8" NPTF	3/8" NPTM	2.2"	3/8"	200	0.98 lbs	43.904

WDCS	(with bearings and protection plate)						
Part No.	G1	G2	H	NW	RPM	Weight	Seal Kit No.
43.373	1/2" NPTF	1/2" NPTM	2.2"	1/2"	200	0.99 lbs	43.904



Technical Data

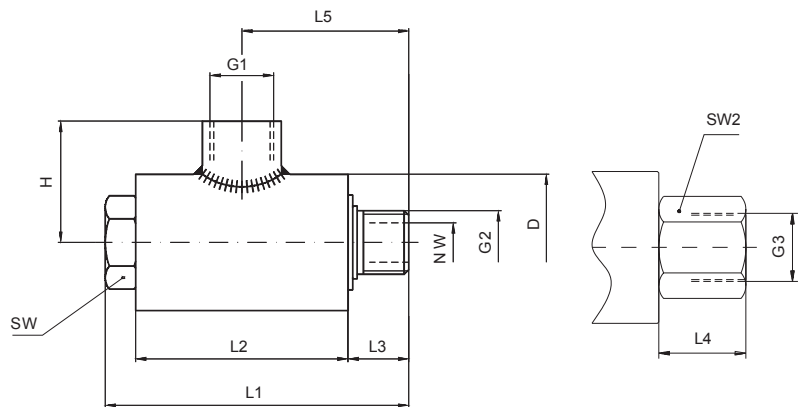
Throughput Medium	pH 3-12
Temperature	250°F
Pressure	4000 psi

Hi Flo 90° Swivel WDRS

Built with a stainless steel body and two self lubricated ball bearings, this swivel is designed to be the toughest and most reliable 90° swivel in the high pressure cleaning market. Protection plates made of stainless steel guard the bearings from harsh cleaning detergents and extend the life of the swivel. Please contact us for shaft and key versions.

Application: Automatic car wash systems
Industry
Hose reels

Specialty: Swivel for tough applications
Longevity

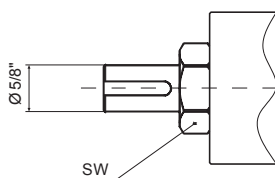


WDRS (no front to back forces allowed)

Part No.	Connection thread G1	Connection thread G2	SW	NW	H	L1	L2	L3	L5	D	RPM	Weight
41.161	3/8" NPT F	3/8" NPT M	1"	3/8"	1.5"	4.2"	3.2"	0.6"	2.2"	1.8"	150	27 oz
41.261	1/2" NPT F	1/2" NPT M	1"	1/2"	1.6"	4.4"	3.2"	1"	2.6"	1.8"	150	28 oz
41.361	3/4" NPT F	3/4" NPT M	1.2"	3/4"	1.7"	4.8"	3.5"	0.9"	2.6"	2"	130	35 oz
41.461	1" NPT F	1" NPT M	1.4"	1"	1.9"	5.4"	3.9"	0.9"	2.9"	2.2"	110	48 oz
41.561	1 1/2" NPT F	1 1/2" NPT M	2.2"	1 1/2"	2.4"	5.9"	4.3"	1.1"	3.3"	2.8"	76	76 oz
41.661	2" NPT F	2" NPT M	2.8"	2"	2.8"	7.1"	5.3"	1.2"	3.8"	3.5"	60	106 oz

Part No.	Connection thread G1	Connection thread G3	SW	SW2	NW	H	L1	L2	L4	L5	D	RPM	Weight
41.262	1/2" NPT F	1/2" NPT F	1"	1"	1/2"	1.6"	5.9"	3.2"	1.5"	3.4"	1.8"	150	29 oz
41.362	3/4" NPT F	3/4" NPT F	1.2"	1.3"	3/4"	1.7"	6.0"	3.5"	1.6"	3.5"	2"	130	36 oz
41.462	1" NPT F	1" NPT F	1.4"	1.5"	1"	1.9"	6.1"	3.9"	1.7"	3.7"	2.2"	110	49 oz
41.562	1 1/2" NPT F	1 1/2" NPT F	2.2"	2.2"	1 1/2"	2.4"	6.3"	4.3"	1.9"	3.9"	2.8"	76	77 oz
41.662	2" NPT F	2" NPT F	2.8"	2.6"	2"	2.8"	6.5"	5.3"	2.1"	4.1"	3.5"	60	107 oz

Part No.	Connection thread G1	Connection thread G2	SW	NW	H	L1	L2	L3	L5	D	RPM	Weight
41.920	1/2" NPT F	1/2" NPT M	1.1"	1/2"	1.6"	6.1"	2.8"	2"	3.3"	1.8"	150	32 oz



Technical Data

Throughput	Medium	pH	3-12
Temperature			40°F - 180°F
Pressure			3000 psi

High rpm Swivels DY-Series

High rpm Swivel features reinforced self lubricated stainless steel ball bearings and dual spring based carbide seals for long lasting operation under tough conditions.

Application: Surface cleaner
Self rotating applications
Tire cleaner applications
Parts washers

Specialty: Self lubricated ball bearing
Longevity

DYT	NW 1/4"				
Part No.	Inlet	Outlet	Length	Pressure	
59.063	1/4" NPTF	G3/8"	4.2"	5000 psi	
59.163	3/8" NPTF	G3/8"	4.3"	5000 psi	
DYC	NW 1/4"				
Part No.	Inlet	Outlet	Length	Pressure	
55.063	1/4" NPTF	G3/8"	3.74"	5000 psi	
55.163	3/8" NPTF	G3/8"	3.74"	5000 psi	
DYF	NW 1/4"				
Part No.	Inlet	Outlet	Length	Pressure	
58.063	1/4" NPTF	G3/8"	3.15"	4000 psi	
58.163	3/8" NPTF	G3/8"	3.15"	4000 psi	
DYG	NW 1/4"				
Part No.	Inlet	Outlet	Length	Pressure	
57.063	1/4" NPTF	G3/8"	3.15"	4000 psi	
57.163	3/8" NPTF	G3/8"	3.15"	4000 psi	
DYL	NW 1/4"				
Part No.	Inlet	Outlet	Length	Pressure	
56.063	1/4" NPTF	G3/8"	3.15"	4000 psi	
56.163	3/8" NPTF	G3/8"	3.15"	4000 psi	



Seal Kit for all DY-Swivels Part No. 36.906

Technical Data

Throughput Medium	pH 3-12	RPM	2000 rpm
Temperature	250°F	Weight	0.45 - 3.5 lbs

Turbo Rotor Arms TKA series

Important: do not use unprotected
 - other versions or sizes upon request
 - use with 1/8" Nozzles



two arms
two nozzles
TKA-2w2



TKA-3w3 (for 3 Nozzles)

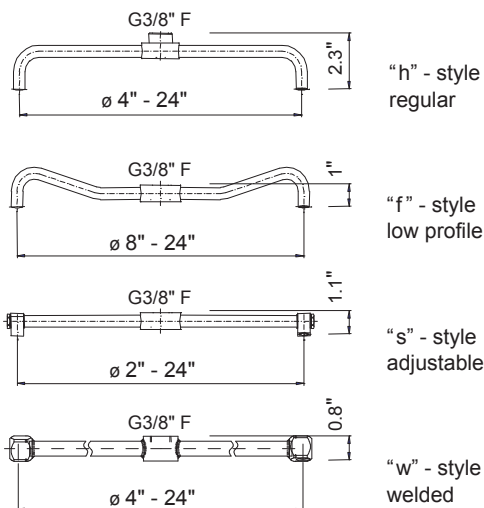


TKA-4w4 (for 4 Nozzles)

The complete stainless versions of these various cleaning units are specially designed for use with water and cleaning additive at high rpm MOSMATIC Turbo-Rotor from the TKA series for use as a self rotating unit on: Flat Surface Cleaners, Tire Cleaner Applicators, Parts Washers, Undercarriage Cleaners

TKA-2w2		TKA-3w3		TKA-4w4	
Part No.	D	Part No.	D	Part No.	D
82.805	4"	82.865	4"	82.831	8" / 8"
82.806	6"	82.866	6"	82.833	14" / 8"
82.807	8"	82.867	8"	82.837	16" / 10"
82.808	10"	82.868	10"	82.842	18.5" / 14"
82.809	12"	82.869	12"	82.843	20" / 14"
82.810	14"	82.870	14"		
82.811	16"	82.871	16"		
82.812	18"	82.872	18"		
82.813	20"	82.873	20"		
82.814	22"	82.874	22"		
82.815	24"	82.875	24"		

Available Styles



Matching swivels

see page 30

Technical Data „w“- style

Throughput Medium Pressure	pH 3-12 4000 psi	Body Pipe	stainless steel stainless steel
Temperature	250°F	In Out	G3/8" F 1/8" NPTF

Tire Cleaner Applicator TYW

This self rotating unit features a 21" stainless steel housing, stainless steel ball bearings and a height adjustable mounting bracket. Use this simple upgrade in your existing automatic carwash system to clean tires and rocker panels. Install water line from your existing high pressure pump to the Tire Cleaner Applicator and bolt to floor or side rail. Nozzles are sold separately to match pump capacity.

Application: Touchless car wash systems

Part No.	Swivel	Spinner
84.504	Standard (DYF)	16" / 10"
84.514	Standard (DYF)	18.5" / 14"
84.509	High performance (DYT)	16" / 10"
84.519	High performance (DYT)	18.5" / 14"

Technical Data

Throughput medium	pH rating 3-12
Pressure	4000 psi
Temperature	40°-200°F
RPM	2000 rpm
Weight	~15 lbs
Housing	Ø 21"
Water Inlet	3/8" NPT F
Nozzle Inlet	1/8" NPT F



Information

- For nozzels see page 20
- Important: Never use TYW unprotected

Surface Cleaner

This multi function, multi task Surface Cleaner Line is used to clean brick walls, RV's, boats, stadium stairs, kennels, sidewalks, carwash walls and windows and other hard to clean surfaces. No overspray or flying debris guarantees a safe, clean work area. Features include: stainless steel deck construction, the newly developed swivel toggle joint and a quick connect lance with a relax action gun. The Economy Line is ready to use with no tools required for assembly.

The perfect cleaner for any type of contractor work. The stainless steel castors guarantee an effortless cleaning experience even for extended use. Clean sidewalks, parking lots, tennis courts, shop floors, patios or any other large surfaces. This Series features a specially engineered high rpm swivel which guarantees long lasting operation under tough conditions.



FL-EG 300

Part No.	78.262
Diameter	12"
Weight	6.5 lbs
Pressure	2500 psi
Maximum Temp.	250° F
inkl. HP-Gun, Wand and Nozzles	



FL-CR 520

Part No.	80.771
Diameter	21"
Weight	28 lbs
Pressure	4000 psi
Maximum Temp.	250° F
inkl. HP-Gun, Rotor Arm and Nozzles	



General Information

- With the publication of this catalog, all previous catalogs and publications are no longer valid.
- We reserve the right to make technical modifications at any time without prior notification.
- For any special versions, manufactured to individual customer requirements, we decline any responsibility for their subsequent use and effects in operation.
- Validation of data and measurements exclude printing and typing errors.
- The details we provide are recommendations only, which we give to the best of our knowledge. Written confirmation of precise details can be obtained upon request.
- MOSMATIC sells through a network of authorized dealers and representatives only.

Use of your personal information

- We never sell or rent any of the information you provide us with to third parties.
- We use the information we collect for various purposes, including:
 - to complete your purchase transaction
 - to provide the services you requested
 - to send you our catalogs and offerings
 - to send you specials and updates per email
 - to contact you about the status of your order
- When you make a credit card transaction we collect your name, your billing address for the card, the card type, number and expiration date. We also collect information that allows us to ship your order, i.e. name, address and phone number of the intended recipient(s).

For your safety

- For your own safety always use protection gear like safety glasses, gloves etc. when using our products connected to high pressure.
- Safety regulations and guidelines (Accident prevention rules) from the manufacturer of high pressure equipment are applicable when using our products.
- Nozzle installation according to nozzle manufacturer.
- MOSMATIC products should only be installed by experienced users of high pressure equipment. The responsibility for the safe and effective use of MOSMATIC products rest with the user.

Terms and Conditions of Sale

Acceptance of any order and sale of any goods are expressly conditional upon the terms and conditions as listed herein. Any order or statement of intent to purchase any such goods, or any direction to proceed with engineering, procurement, manufacture or shipment shall constitute assent to said terms and conditions. Any additional or different terms or conditions set forth in Buyer's purchase order or similar communication are objected to and will not be binding upon MOSMATIC Corporation, unless specifically assented to in writing by an authorized representative of MOSMATIC Corporation management.

1. Prices

All prices stipulated or promulgated by MOSMATIC Corporation are subject to change without notice. Prices do not include any present or future sales, use, excise, value added or similar taxes and, where applicable, such taxes shall be billed as a separate item and paid by Buyer.

2. Shipping

All orders are shipped via UPS Ground unless otherwise specified. Most orders for stock goods will usually be shipped same day if purchase order is received by 12 p.m. CST.

Special crating or handling charges may apply to oversized or custom orders. Please inspect your shipment immediately upon arrival. If your order is not received in satisfactory condition, keep all packaging material and notify MOSMATIC Corporation within 48 hours.

All sales are made ex point of shipment, and the Buyer assumes all risks with title passing upon delivery to carrier at point of shipment, irrespective of who selects carrier.

Shipping dates given in advance of actual shipments are best estimates and shall not be deemed to represent fixed or guaranteed shipping dates. MOSMATIC Corporation shall not be liable for failure to deliver or for delay in delivery or performance due to (a) a cause beyond its reasonable control or (b) an act of God, act or omission of Buyer, act of civil or military authority, governmental priority or other allocation or control, fire, strike or other labor difficulty, riot or other civil disturbance, delay in transportation or (c) any other commercial impracticability. Each shipment or delivery shall be deemed to have been sold under a separate and independent contract. If in the judgment of MOSMATIC Corporation, the financial condition of the Buyer at the time of manufacture or shipment does not justify the terms of payment specified on order, MOSMATIC Corporation reserves the right to require from Buyer full or partial payment or other adequate assurance of performance before manufacture or shipment. MOSMATIC Corporation reserves the right to suspend its performance until such a payment or adequate assurance of performance has been received. If payment is not made when due, Buyer agrees to pay a charge on the amount past due at the rate of 1.5% per month (18% per annum) or the maximum lawful rate, whichever is less. Nothing herein shall be deemed to extend or otherwise modify Buyer's obligation to make payment when due.

3. Payments

Credit: First orders are C.O.D., subsequent orders net 30 days from date of invoice upon credit approval. For credit applications, please call (800) 788-9880. Payment shall be made in US\$ (USD) only or in the currency agreed. Checks will be accepted as means of payment but shall not be regarded as settlement until they have been cleared. For your convenience we accept VisaCard, MasterCard, American Express and Discovery Card.

4. Termination

Buyer may terminate an order only by mutual agreement based on payment to MOSMATIC Corporation of reasonable and proper termination charges.

5. Returns

No return of goods will be accepted without prior authorization from a representative of MOSMATIC Corporation management. All returns must be accompanied by a Returned Goods Authorization (RGA) number provided by MOSMATIC Corporation. RGA numbers are valid for 90 days only. Except due to manufacturer defects, all returns must be in resalable condition and are subject to a 15% restocking charge.

6. Limitation of Liability

MOSMATIC Corporation's liability on any claim for loss or damage arising out of a contract or from the performance or breach thereof or connected with the supplying of goods, or their sale, resale, operation or use, warranty, tort (including negligence) or other grounds, shall not exceed the price allowable to such goods or part thereof involved in any claim.

MOSMATIC Corporation shall not under any circumstances be liable for any labor charges, special or consequential damages including, but not limited to, bodily injury, loss of profits or revenue, loss of use of any product or associated product, cost of capital, cost of substitute products, facilities or services, downtime costs or costs of claims arising from Buyer or Buyer's customers.

Any technical or other advice or assistance furnished by MOSMATIC Corporation, which concerns any goods supplied hereunder, will not subject MOSMATIC Corporation to any liability, whether based on contract, warranty, tort (including negligence) or other grounds.

7. Limited Warranty

MOSMATIC Corporation warrants that its product/s (the „Product“) shall be free from defects in materials and workmanship under normal use, installation and maintenance in accordance with MOSMATIC Corporation's specifications. If any failure to conform to this warranty is reported to MOSMATIC Corporation within six months from the date of purchase by the original buyer, MOSMATIC Corporation, upon being satisfied of the existence of such nonconformity, will, with exclusions (wear and tear) etc., correct same at its discretion by repairing or replacing the Product.

This warranty does not cover damage resulting from mishandling in transit, vandalism, misuse, abuse, neglect, alteration, dismantling, acts of God or failure to exercise reasonable care in installing or maintaining the Product. This warranty applies only to the original buyers who purchased the Product directly from MOSMATIC Corporation.

To obtain service under this warranty, call our sales/service department at (800) 788-9880.

NO EVENT WILL MOSMATIC CORPORATION BE LIABLE FOR INCIDENTAL OR CONSEQUENTIAL DAMAGES.

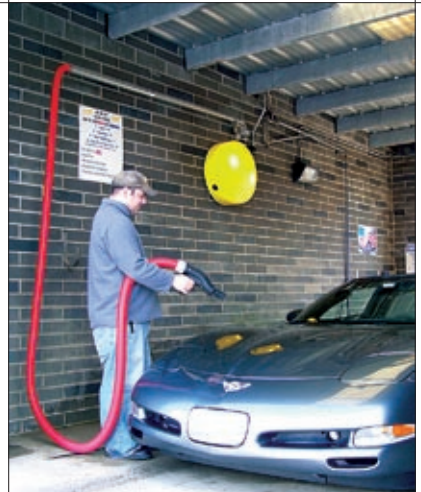
This warranty gives you specific legal rights, and you may have other rights which vary from state to state.

8. Availability

Not all products listed in this catalog are stocked by each service center.

9. Governing law

All orders are accepted by Seller at its mailing address in Bristol, Wisconsin, and shall be governed by and interpreted in accordance with the laws of the state of Wisconsin.





MOSMATIC Corporation
 8313-196th Ave. P.O.Box 400
 BRISTOL, WI 53104-0400 USA
 Phone 1-800-788-9880
 Fax 262-857-2421
 Email swivels@mosmatic.com
 Internet www.mosmatic.com