

Plunger Pumps

FEATURING

MANIFOLD: High strength forged brass or nickel plated for long term use.

BOLTS: Eight 10mm grade 8.8.

PLUNGERS: A special thick solid ceramic for long life, strong durability and more resilience.

CRANKCASE: Precision die-cast, large cooling fins and anodized for maximum heat dissipation. Bayonet style sight glass located in the rear and side cover, fill and side and bottom drain plugs.

BEARINGS: Oversized premium tapered roller bearing for maximum life and load distribution.

BEARINGS SUPPORTS: Precision die-cast and machined to assure concentricity and alignment.

VALVES, SEATS, AND SPRINGS: Stainless steel with specially designed Ultra Form cages to provide long life and positive seating.

SEALS AND U-PACKINGS: Continuously lubricating for extended life. Triple lip oil seal for assured crankcase seal.

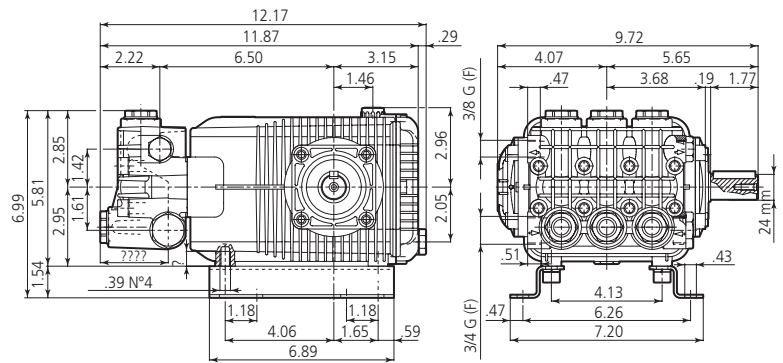
PLUNGER RODS: High strength stainless steel, for heavy duty use.

CONNECTING RODS: Two-piece special alloy aluminum based material, oversized for maximum strength, load disbursement, and long life. Heavy pin area construction, for added load strength.

DIMENSIONS



XW-M N version Solid shaft pump ø 24 mm



SPECIFICATIONS

MODEL	MAX GPM	MAX LMP	MAX PSI	MAX BAR	POWER EBHP	BORE DIA MM	STROKE MM	CRANKSHAFT ID STAMP	WEIGHT LBS.
XW-M15.30	3.96	15.0	4350	300	12.0	20	12.2	5	34
XW-M21.28	5.55	21.0	4060	280	15.0	20	16.6	3	34
XW-M26.20	6.87	26.0	2900	200	12.5	20	19.8	1	34

Oil Capacity = 32oz

Maximum Fluid Temperature = 140° F

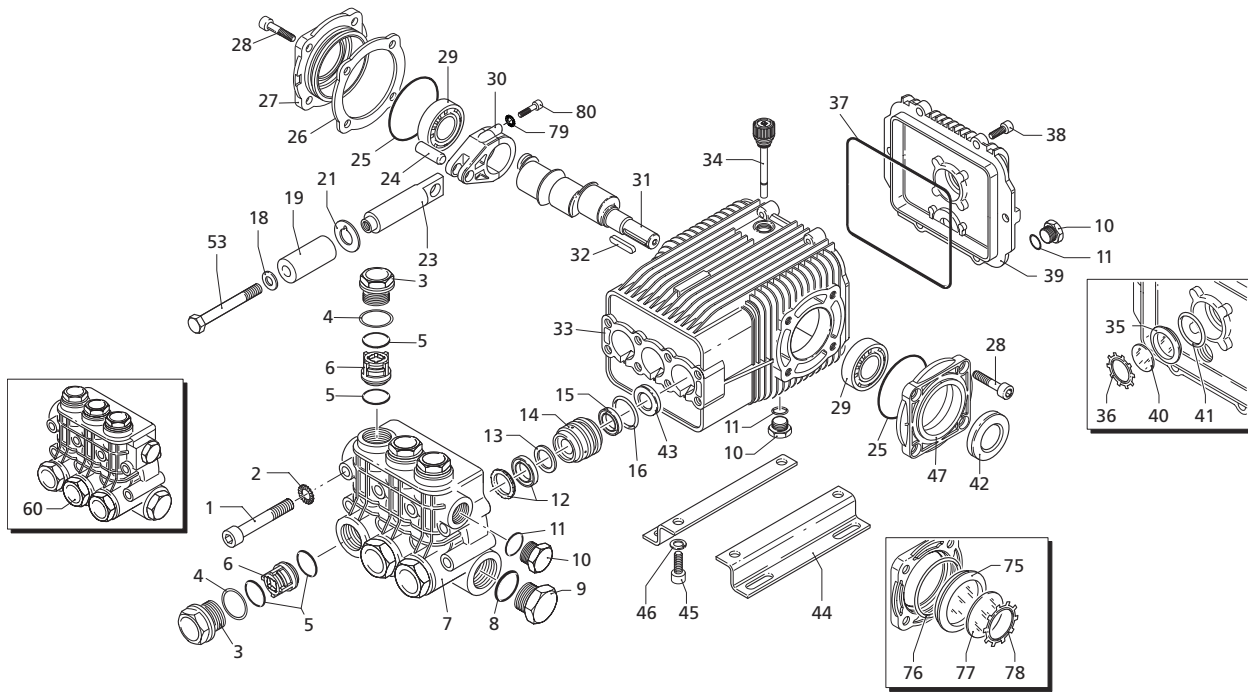
Inlet Thread = 3/4" F

Discharge Thread = 3/8" F

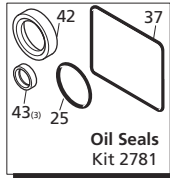
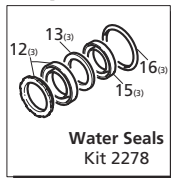
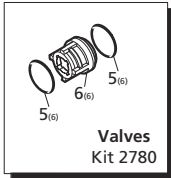
Torque Specifications Inch pounds (ft. lbs)

HEAD	PISTON NUT	REAR COVER	SIDE COVER	VALVE CAP	CON RODS
442 (37)	106 (8.8)	92 (7.7)	217 (18)	602 (50)	89 (7.5)

SPECIAL NOTE: Use AR64516 Oil. First change oil after 50 hours of use. Then every 500 hours. This oil is specially formulated to provide correct lubrication properties for our pumps. **No** other oil is factory approved for these pumps.



Repair Kits



Special Parts / Kits

Code	Description	Qty.
980069	Packing extractor	1
2748	Rail kit 1-1/4" - 2 Rails - 4 Bolts - 4 Washers	1

Pos	Code	Description	Qty.	Pos	Code	Description	Qty.	Legend	
1	1940260	Head bolt M10x80	(442 in/lbs) 8	37	1940410	O-Ring ϕ 132x3	1	ϕ 20	ϕ 20
2	650530	Lockwasher	8	38	1200430	Bolt M6x16	(89 in/lbs) 6	For ●	For ■
3	1940140	Valve cap	(602 in/lbs) 6	39	1949010	Compete cover	1	XW-M15.30	XW-M21.28
4	1940150	Ring	6	40	1780690	Contrast disc	1		
5	1140450	O-Ring ϕ 20.24x2.62	12	41	1140450	O-Ring ϕ 20.24x2.62	1		
6	1949050	Complete valve	6	42	820680	Seal ring	1		
7	1940021	Pump head	1	43	1940560	Seal	3		
8	550350	O-Ring ϕ 23.81x2.62	1	44	1940370	Rail 1-1/4"	2		
9	1140300	Plug 3/4" G	1	45	1940380	Bolt	4		
10	1980740	Plug 3/8" G	3	46	200231	Washer	4		
11	740290	O-Ring ϕ 14x1.78	3	47	1941240	Open bearing support	1		
12	1940440	Gasket w/ring	3	53	1941940	Bolt M6x60	3		
13	1940430	Front piston guide	3	60	1949216	Complete pump head	1		
14	1942410	Piston guide	3	75	1941270	Oil sight glass	1		
15	840280	Gasket	3	76	100410	O-Ring ϕ 34.6x2.62	1		
16	820490	O-Ring ϕ 34.65x1.78	3	77	1941260	Contrast disc	1		
18	1340600	Washer - Copper	3	78	1941290	Seal	1		
19	1942330	Piston	3	79	1380510	Lockwasher	6		
21	1383190	Spacer	3	80	1381550	Con-rod bolt	6		
23	1940960	Guiding piston	3						
24	1940060	Piston pin	3		AR64516	Oil	2		
25	1941380	O-Ring ϕ 66.34x2.62	2			OIL CAPACITY - 32 OZ			
26	1941390	Shim 0.05 mm	1-3						
27	1941400	Shim 0.10 mm	1-3						
28	1941410	Shim 0.19 mm	1-3						
29	1941420	Shim 0.25 mm	1-3						
27	1949011	Side cover w/sight glass	1						
28	850370	Bolt M8x16	(217 in/lbs) 8						
29	1140410	Bearing	2						
30	1940050	Con-rod	(89 in/lbs) 3						
31	1940180	Crankshaft 24mm	■ 1						
31	1940520	Crankshaft 24mm	● 1						
32	650250	Key	1						
33	1941330	Pump housing	1						
34	1140370	Oil cap	1						
35	1260250	Oil sight glass	1						
36	1260430	Snap ring	1						

