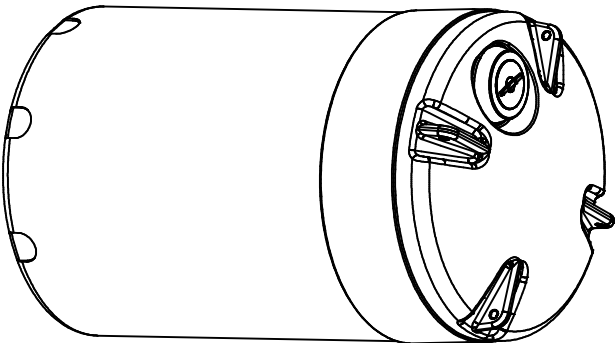
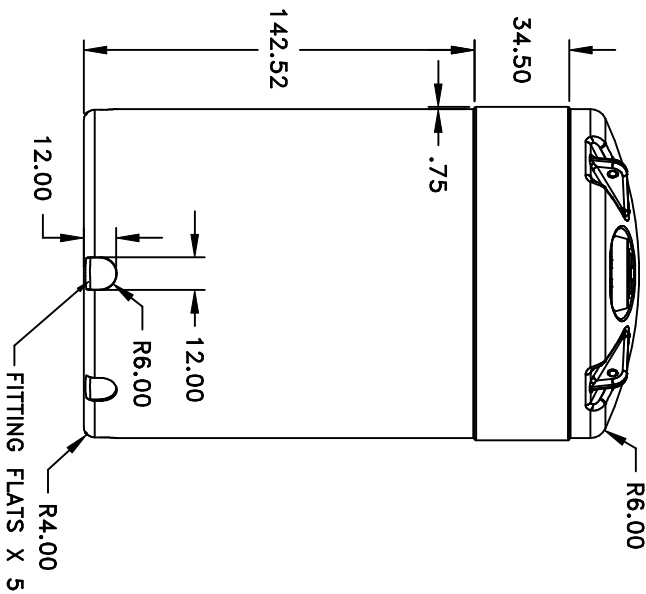
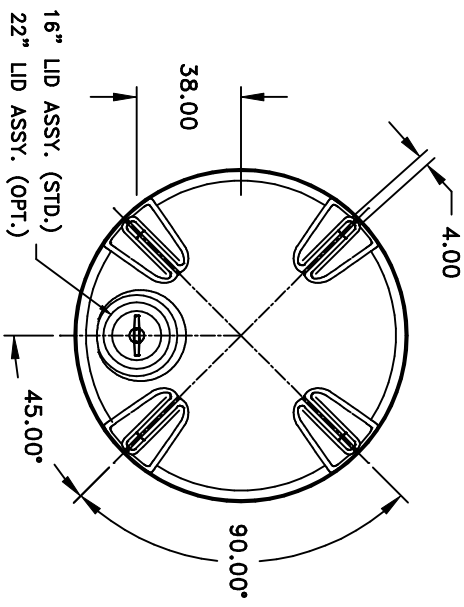
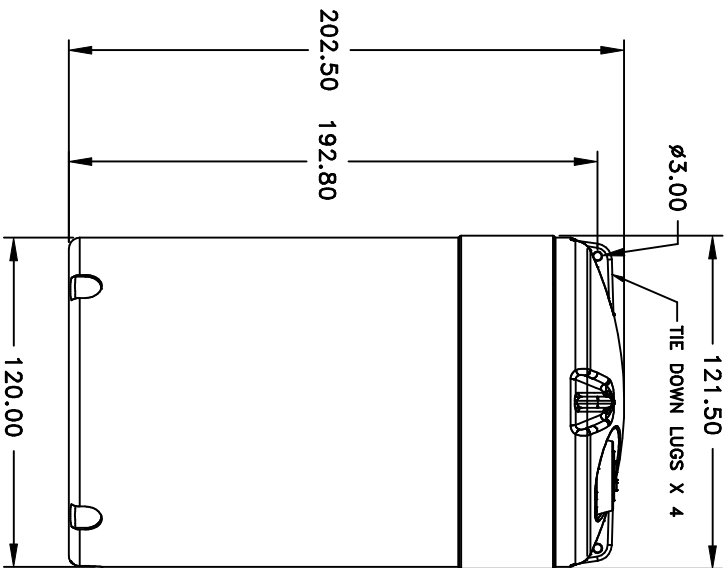


PROPRIETARY DATA

PROPERTY OF ACE ROTO-MOLD MFG., INC. INFORMATION FURNISHED HEREIN IS THE PROPERTY OF ACE ROTO-MOLD MFG., INC. AND SHALL NOT BE USED, DISCLOSED TO OTHERS, OR COPIED WITHOUT THE EXPRESSED WRITTEN CONSENT OF ACE ROTO-MOLD MFG., INC. ALL RIGHTS RESERVED.

VT9150-120

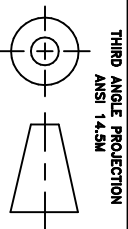


REV	DESCRIPTION	DATE	APPRD	DRAWN / DATE	REH/1/25/02

MATERIAL	SHOT WEIGHT
M111	M134
U625	P938
2200	

ACE ROTO MOLD
 A DIVISION OF DEN HARTOG INDUSTRIES, INC.
 4010 HWY. 60 BLVD., HOSPERS, IOWA 51238
 CLIENT / DESCRIPTION
 ACE 9150 GALLON TANK

ALL DIMENSIONS ARE IN DECIMAL INCHES
 TOLERANCES UNLESS OTHERWISE SPECIFIED
 + .5% @ 68° F



NOTES:

SCALE N.S.

PART NO. VT9150-120