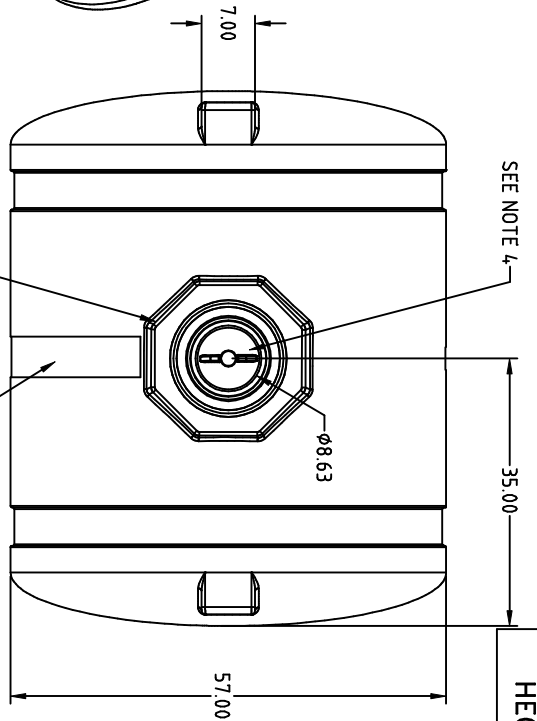
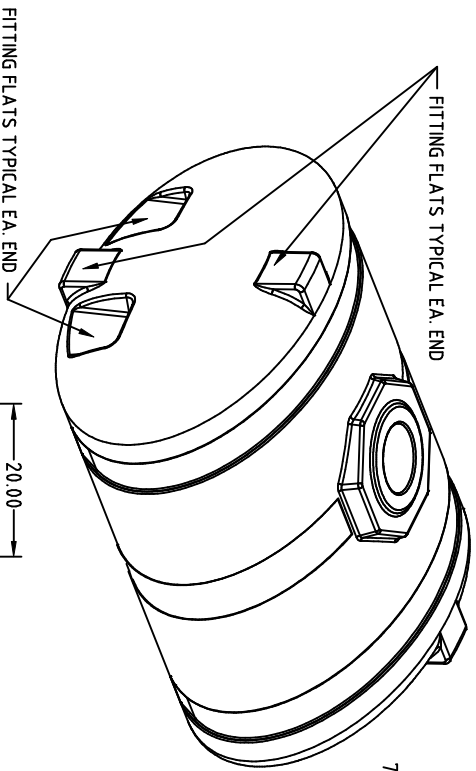


PROPRIETARY DATA

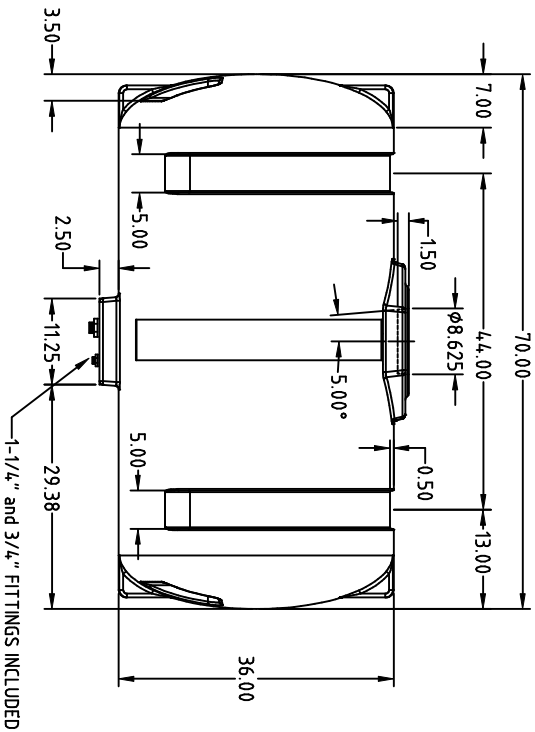
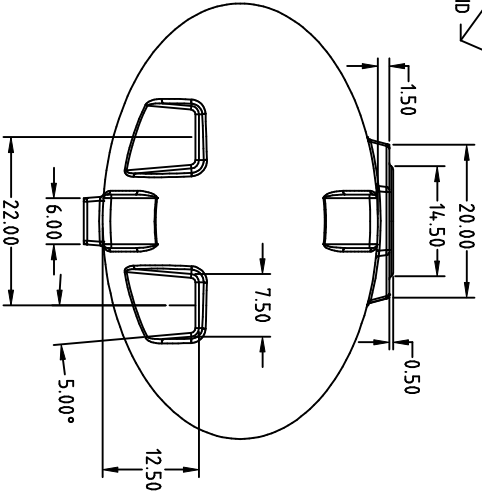
PROPERTY OF ACE ROTO-MOLD MFG., INC. INFORMATION FURNISHED HEREIN IS THE PROPERTY OF ACE ROTO-MOLD MFG., INC. AND SHALL NOT BE USED, DISCLOSED TO OTHERS, OR COPIED WITHOUT THE EXPRESSED WRITTEN CONSENT OF ACE ROTO-MOLD MFG., INC. ALL RIGHTS RESERVED.

HE0400-57



SEE NOTE 4
STANDARD LID IS 8"
GALLON / LITER INDICATORS ONE SIDE AND ONE END
GALLON CALIBRATIONS ARE IN 25 GAL. INCREMENTS

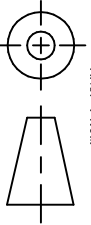
- GENERAL NOTES:**
1. USE .027 IN./IN. SHRINK ALLOWANCE
 2. MOLD TO BE FULLY WELDED INSIDE AND STITCH WELDED OUTSIDE
 3. CLAMPING TO BE WITH 1/2" X 1-1/2" GRADE 8 BOLTS, GRADE 5 NUTS AND NUT HOLDERS.
 4. LID RING RECESS TO HAVE KNIFE EDGE ON INSERT TO MINIMIZE TRIMMING.



-1-1/4" and 3/4" FITTINGS INCLUDED

REV	DESCRIPTION	DATE	APPRD	DRAWN / DATE	MATERIAL / SHOT WEIGHT
				REH/4/16/01	M111 M134 U625 P938
				APPRD. / DATE	
				REH/4/16/01	M111 M134 U625 P938

THIRD ANGLE PROJECTION
ANSI 14.5M



ALL DIMENSIONS ARE IN DECIMAL INCHES
TOLERANCES UNLESS OTHERWISE SPECIFIED

+ .5% @ 68° F

NOTES:
1. .300 NOMINAL WALL



ACE ROTO-MOLD
A DIVISION OF DEN HARTOG INDUSTRIES, INC.
4018 HWY. 60 BLVD., BOX 421, HOSPERS, IOWA 51238

CLIENT / DESCRIPTION

ACE 400 GALLON ELLIPTICAL TANK

SCALE

N.S.

PART NO.

HE0400-57