

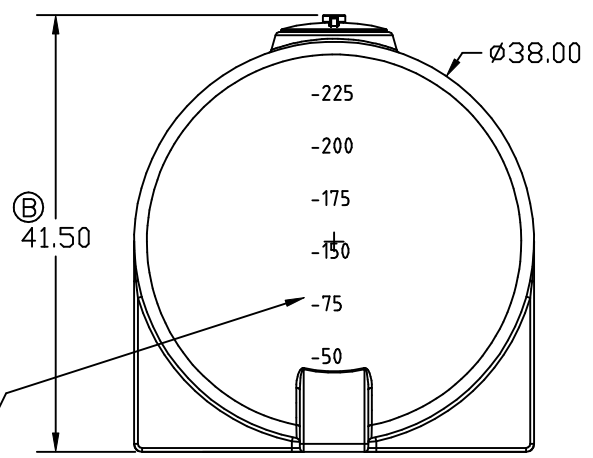
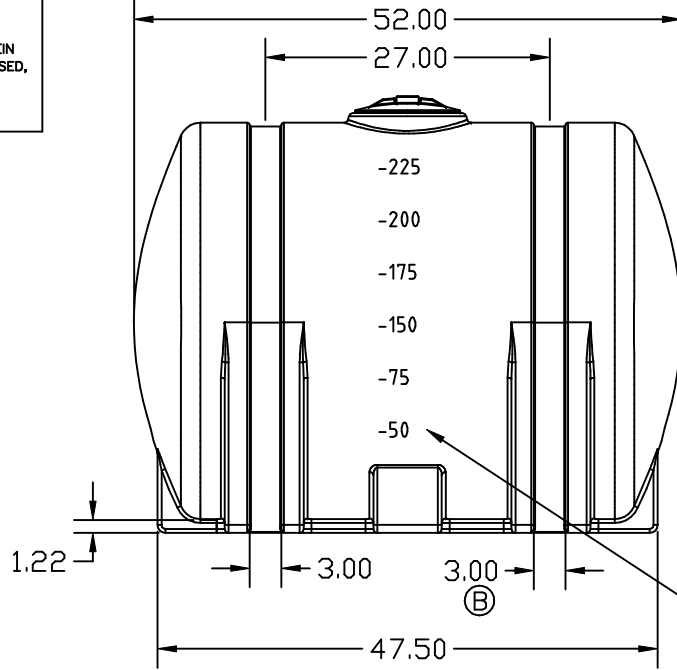
PROPRIETARY DATA

PROPERTY OF DEN HARTOG INDUSTRIES, INC. INFORMATION FURNISHED HEREIN IS THE PROPERTY OF DEN HARTOG INDUSTRIES, INC. AND SHALL NOT BE USED, DISCLOSED TO OTHERS, OR COPIED WITHOUT THE EXPRESSED WRITTEN CONSENT OF DEN HARTOG INDUSTRIES, INC. ALL RIGHTS RESERVED.

1. SPECIFIC GRAVITY IS 1.75
2. 1 PIECE ROTATIONALLY MOLDED
3. FDA APPROVED RESIN
4. CALIBRATED IN GALLONS
5. THREE YEAR WARRANTY
6. UV STABILIZED
7. FREE STANDING

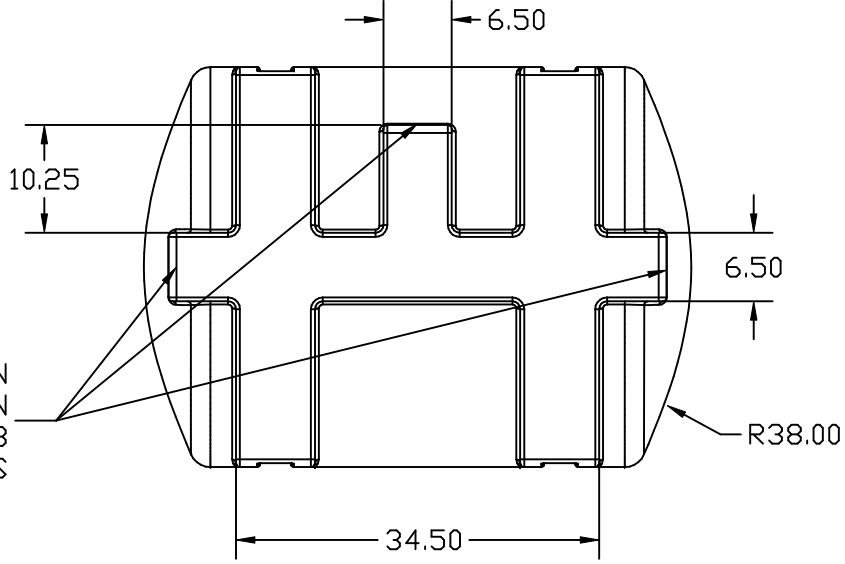
FS0225-38

B

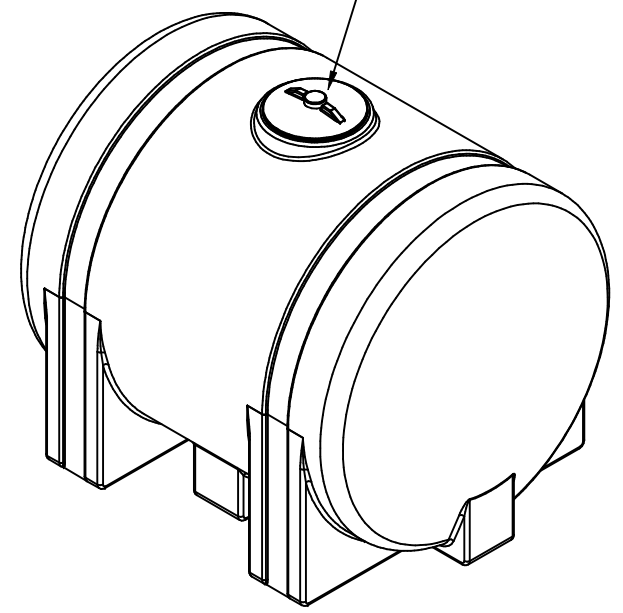


FRONT AND RIGHT SIDE OF TANK ARE MARKED IN GALLONS


Ø8" VENTED LID ASSEMBLY



TANK FITTING CAN BE INSTALLED IN ANY OF THESE 3 SUMP LOCATIONS



DRAWN / DATE		MATERIAL	
B	WIDTH WAS 2.5 AND HEIGHT WAS 43	7/25/06	NVE
DHJ 3/11/94		HDPE OR EQUIVALENT REFERENCE MATERIAL DATA SHEET FOR SPECIFIC PROPERTIES.	
A	NEW DRAWING FORMAT	10/11/05	NVE
APPRD. / DATE		ADH 3/11/94	
REV	DESCRIPTION	DATE	APPRD
THIRD ANGLE PROJECTION ANSI 14.5M		NOTES:	
		<ol style="list-style-type: none"> 1. NOM. WALL @ 0.27 2. BLACK, WHITE, OR YELLOW COLOR 3. SHOT WEIGHT 85 LBS. 	
ALL DIMENSIONS ARE IN DECIMAL INCHES TOLERANCES UNLESS OTHERWISE SPECIFIED			
± 1% @ 68° F			



ACE ROTO-MOLD
A DIVISION OF DEN HARTOG INDUSTRIES, INC.
4010 HWY. 60 BLVD, BOX 425, HOSPERS, IOWA 51238

CLIENT / DESCRIPTION	
225 GALLON FREE-STANDING TANK	
SCALE	PART NO.
N.S.	FS0225-38